

MDX-650A/650



Unpacking and Repacking

⚠ CAUTION

Unpacking, installation, and moving must be carried out by five or more persons.

Failure to do so may result in falling of the unit, leading to injury.
(The MDX-650A/650 weighs 120 kg (264.5 lb.).)

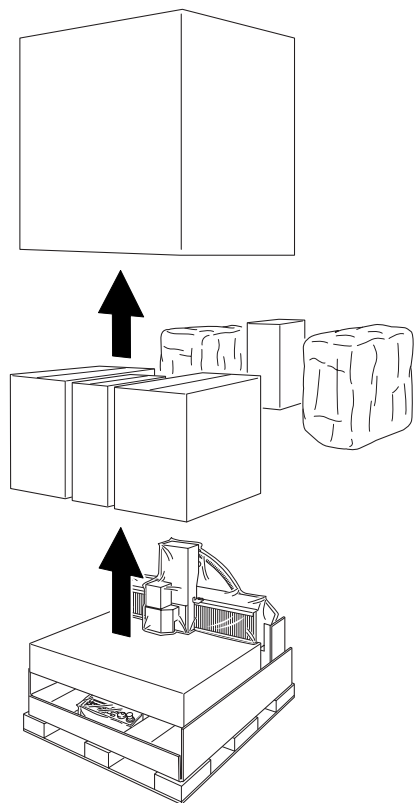
When moving, grasp the aluminum base portion at the bottom portion of the unit, and carry out the operation with five or more persons.

Failure to do so may result in falling of the unit, leading to injury.

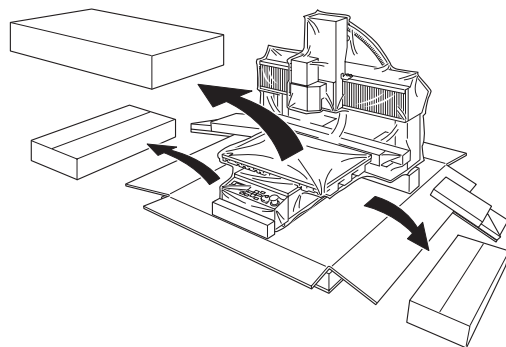
How to Unpack

The packings will be needed if you must repack the product. Please do not throw them away.

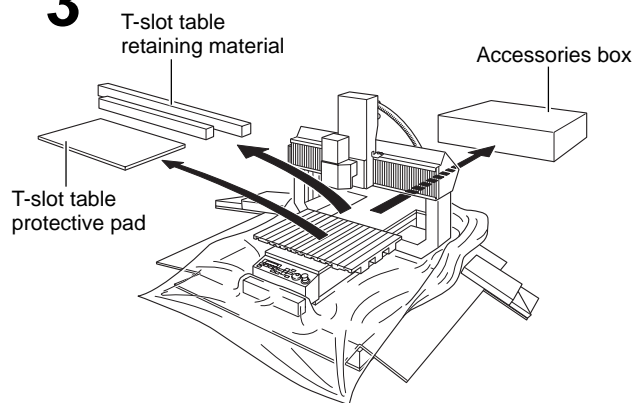
1



2

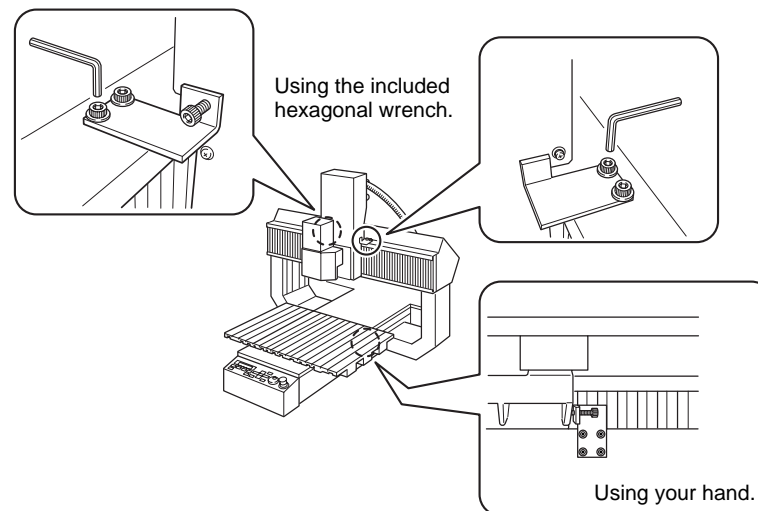


3



4

Detach the retainers.



How to Repack

- 1) Lower the spindle head all the way, then move to the center along the X axis.
- 2) Move the T-slot table all the way toward the front of the unit.
- 3) Repack by following the steps for "How to Unpack" in reverse.

