

DESKTOP ENGRAVER
EGX-20

USER'S MANUAL

Thank you very much for purchasing the EGX-20.

- To ensure correct and safe usage with a full understanding of this product's performance, please be sure to read through this manual completely and store it in a safe location.
- Unauthorized copying or transferral, in whole or in part, of this manual is prohibited.
- The contents of this operation manual and the specifications of this product are subject to change without notice.
- The operation manual and the product have been prepared and tested as much as possible. If you find any misprint or error, please inform us.
- Roland DG Corp. assumes no responsibility for any direct or indirect loss or damage which may occur through use of this product, regardless of any failure to perform on the part of this product.

For the USA

**FEDERAL COMMUNICATIONS COMMISSION
RADIO FREQUENCY INTERFERENCE
STATEMENT**

This equipment has been tested and found to comply with the limits for a Class A digital device, pursuant to Part 15 of the FCC Rules.

These limits are designed to provide reasonable protection against harmful interference when the equipment is operated in a commercial environment.

This equipment generates, uses, and can radiate radio frequency energy and, if not installed and used in accordance with the instruction manual, may cause harmful interference to radio communications.

Operation of this equipment in a residential area is likely to cause harmful interference in which case the user will be required to correct the interference at his own expense.

Unauthorized changes or modification to this system can void the users authority to operate this equipment.

The I/O cables between this equipment and the computing device must be shielded.

For Canada

CLASS A NOTICE

This Class A digital apparatus meets all requirements of the Canadian Interference-Causing Equipment Regulations.

CLASSE A AVIS

Cet appareil numérique de la classe A respecte toutes les exigences du Règlement sur le matériel brouilleur du Canada.



ROLAND DG CORPORATION

1-6-4 Shinmiyakoda, Hamamatsu-shi, Shizuoka-ken, JAPAN 431-2103

MODEL NAME : See the MODEL given on the rating plate.

RELEVANT DIRECTIVE : **EC MACHINERY DIRECTIVE (98/37/EC)**

EC LOW VOLTAGE DIRECTIVE (73/23/EEC)

EC ELECTROMAGNETIC COMPATIBILITY DIRECTIVE (89/336/EEC)

How to Use This Manual

Be sure to read through this manual when using the EGX-20 for the first time.

This manual explains mainly the following information.

- Connecting to a computer installing a blade, mounting an engraving workpiece, and the like
- Installing the driver software on the computer
- The procedure for creating a nameplate using Dr. Engrave (a text-engraving program)

You can also install and set up the following programs on the included Roland Software Package CD-ROM and use them on your computer.

- Virtual MODELA (a program that simulates cutting results obtained with 3D Engrave)
- Dr.Engrave (a text-engraving program)
- 3D Engrave (a program for creating reliefs)
- Windows driver (a software driver for using the EGX-20 with Windows)

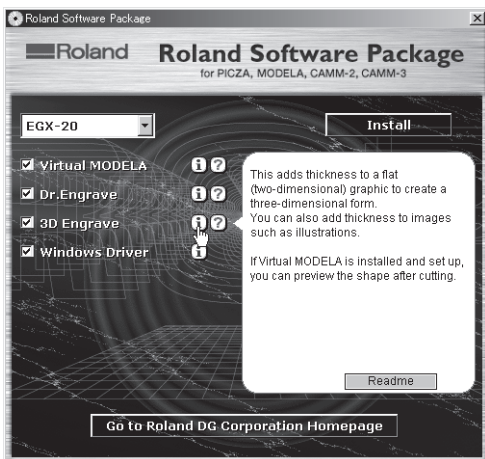
The manuals for these (except for the manual for the driver) are in electronic format.

Refer to them for detailed information on use.

Manuals in Electronic Format

You can view the manuals in electronic format (PDF files) from the setup menu that appears when you insert the Roland Software Package CD-ROM in the CD-ROM drive on your computer.

Load the Roland Software Package CD-ROM in the computer's CD-ROM drive and view the manuals in electronic format as required.



To view a description of the program, click the **i** button. To view a manual, click the **?** button.

A PDF manual is available for programs listed with a **?** button.

Acrobat Reader is required to view PDF files. If Acrobat Reader is not already installed and set up on your computer, then the setup program for Acrobat Reader starts automatically, allowing you to install and set it up.

Help

After you have installed and set up the programs, you can view help for each that contains information similar to the PDF files.

In Windows, click [Start]. From the menu, point to [Programs], then [Roland 3D Engrave], then select [3D Engrave Help]. The help window appears.

In the same way, point to [Roland Dr. Engrave] and select [Dr. Engrave Help], or point to [Roland Virtual MODELA] and select [Virtual MODELA Help].

Alternatively, start the respective program, then from the [Help] menu, select [Contents]. The help window appears.

Table of Contents

How to Use This Manual	1
To Ensure Safe Use	3
About the Labels Affixed to the AC Adapter and Uni	5
1. Getting Ready	6
What You Can Do with the EGX-20	6
Check the Included Items	6
Names and Functions	7
Setting Up and Connection	8
Attaching the Adhesive Sheet	10
Installing the Blade Holder	11
2. Installing and Setting Up the Software	12
3. Creating a Nameplate (Operations in the Engraving Mode)	16
Loading Material	16
Installing a Cutter	17
Setting the Origin Point	19
Creating Data with Dr. Engrave	20
Setting the Cutting Parameters	25
Performing Engraving	27
4. The 3D Cutting mode	28
Removing the Cutter	28
Detaching the Depth Regulator Unit	29
Installing a Cutter	30
Loading Material	31
Setting the Origin Point	32
Creating Data with 3D Engrave	34
Adjusting Cutting	37
Performing Cutting	38
5. Important Notes, Limitations, and Other Information	39
Important Notes and Limitations	39
Functions Using the Switch Panel on the EGX-20	40
6. Other Information	41
Replacement Cutters	41
Daily Care and Maintenance	41
What to Do If... ..	42
Specifications	43

Windows® and Windows NT® are registered trademarks or trademarks of Microsoft® Corporation in the United States and/or other countries.



Adobe and Acrobat are trademarks of Adobe Systems Incorporated.

Pentium is registered trademarks of Intel Corporation in the United States.




Other company names and product name are trademarks or registered trademarks of their respective holders.

To Ensure Safe Use

About ⚠️ WARNING and ⚠️ CAUTION Notices

 WARNING	Used for instructions intended to alert the user to the risk of death or severe injury should the unit be used improperly.
 CAUTION	Used for instructions intended to alert the user to the risk of injury or material damage should the unit be used improperly. * Material damage refers to damage or other adverse effects caused with respect to the home and all its furnishings, as well to domestic animals or pets.

About the Symbols

	The ⚠️ symbol alerts the user to important instructions or warnings. The specific meaning of the symbol is determined by the design contained within the triangle. The symbol at left means "danger of electrocution."
	The ⚡ symbol alerts the user to items that must never be carried out (are forbidden). The specific thing that must not be done is indicated by the design contained within the circle. The symbol at left means the unit must never be disassembled.
	The ● symbol alerts the user to things that must be carried out. The specific thing that must be done is indicated by the design contained within the circle. The symbol at left means the power-cord plug must be unplugged from the outlet.

⚠️ WARNING



Do not disassemble, repair, or modify.

Doing so may lead to fire or abnormal operation resulting in injury.



Ground the unit with the ground wire.

Failure to do so may result in risk of electrical shock in the even of a mechanical problem



Do not use with any electrical power supply that does not meet the ratings displayed on the AC adapter.

Use with any other power supply may lead to fire or electrocution.



Do not use with any power supply other than the dedicated AC adapter.

Use with any other power supply may lead to fire or electrocution.



Do not use while in an abnormal state (i.e., emitting smoke, burning odor, unusual noise, or the like).

Doing so may result in fire or electrical shock.

Immediately unplug the power-cord plug from the electrical outlet, and contact your authorized Roland DG Corp. dealer or service center.



Use only with the power cord included with this product.

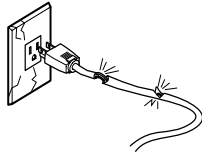
Use with other than the included power cord may lead to fire or electrocution.

CAUTION



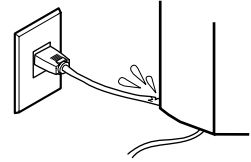
Do not use with a damaged AC adapter, power cord, or power-cord plug or with a loose electrical outlet.

Use with any other power supply may lead to fire or electrocution.



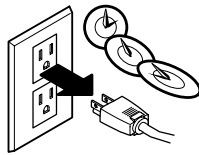
Do not injure or modify the electrical power cord, nor subject it to excessive bends, twists, pulls, binding, or pinching, nor place any object of weight on it.

Doing so may damage the electrical power cord, leading to electrocution or fire.



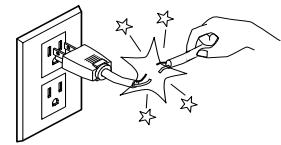
When not in use for several hours, unplug the power-cord plug from the electrical outlet.

Failure to do so may result in danger of shock, electrocution, or fire due to deterioration of the electrical insulation.



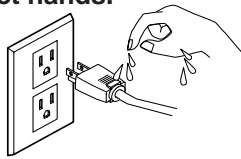
When unplugging the electrical power cord from the power outlet, grasp the plug, not the cord.

Unplugging by pulling the cord may damage it, leading to fire or electrocution.



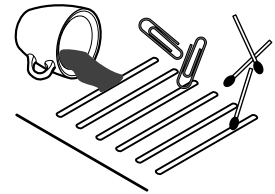
Do not attempt to unplug the power-cord plug with wet hands.

Doing so may result in electrical shock.



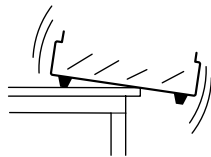
Do not allow liquids, metal objects or flammables inside the machine.

Such materials can cause fire.



Install on a stable surface.

Failure to do so may result in falling of the unit, leading to injury.



Do not touch the tip of the blade with your fingers.

Doing so may result in injury.



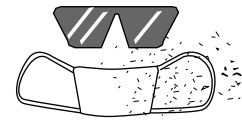
Do not inadvertently allow the hands, or hair near the rotating parts while in operation.

Doing so may result in injury.



Wear dust goggles and mask during use.

Cutting dust may scatter, causing bodily injury.

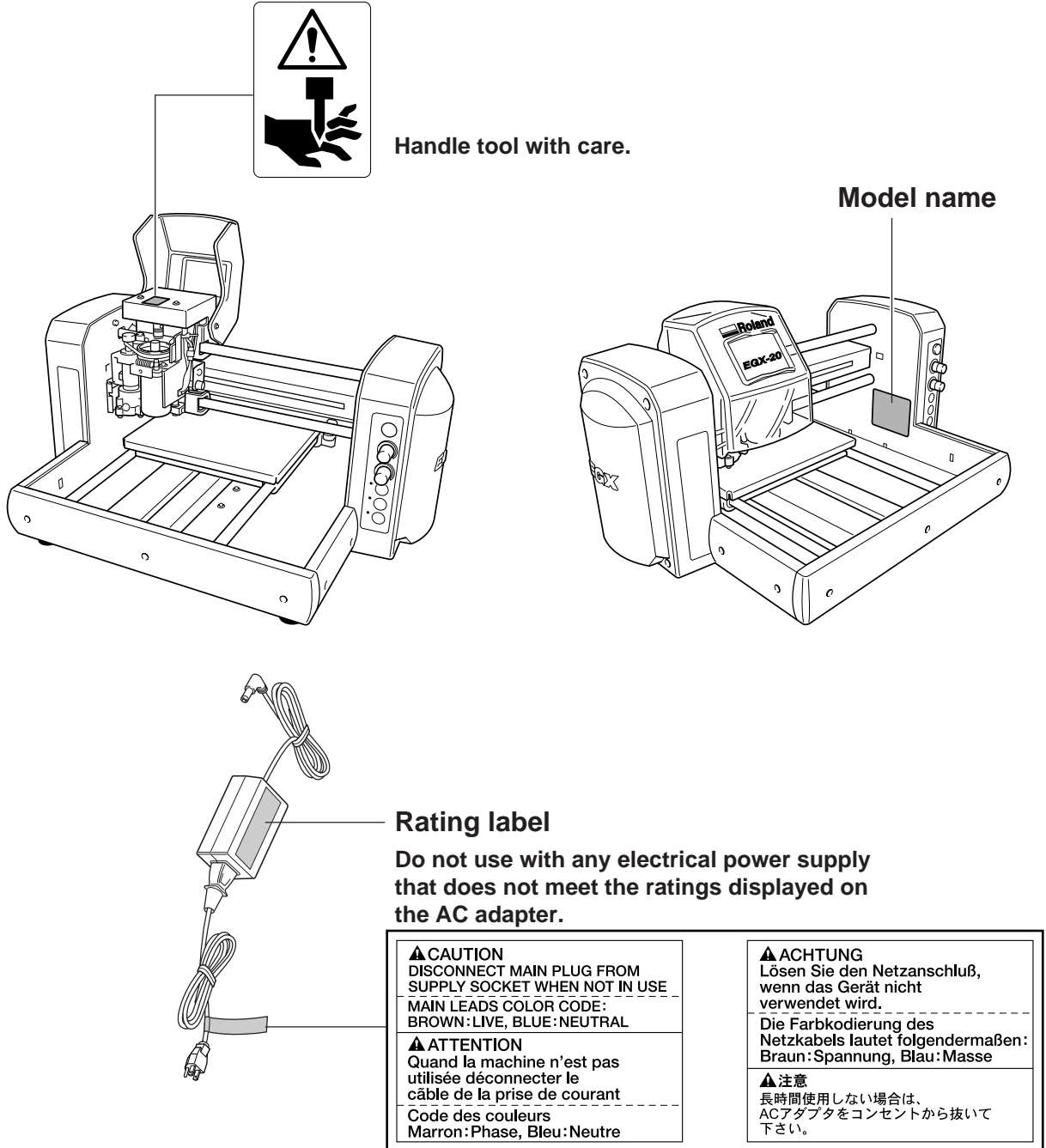


When you're finished, wash your hands to rinse away all cuttings.



About the Labels Affixed to the AC Adapter and Unit

These labels are affixed to the body of this product and the AC adapter. The following figure describes the location.



In addition to the **▲ WARNING** and **▲ CAUTION** symbols, the symbols shown below are also used.

NOTICE : Indicates information to prevent machine breakdown or malfunction and ensure correct use.



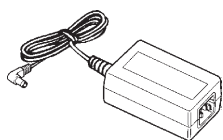
: Indicates a handy tip or advice regarding use.

1 Getting Ready

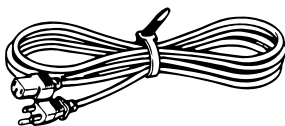
What You Can Do with the EGX-20

- You can engrave a plate with text or shapes to create a nameplate or the like.
Using Dr. Engrave, the included 2D engraving program, you can easily engrave anything from simple text to complex designs to produce high-quality engraved plates.
See --> p. 16 "Creating a Nameplate"
- You can cut thick materials up to a depth of 7 mm to create reliefs and other forms.
Using 3D Engrave, the included 3D engraving program, you can easily produces reliefs and other three-dimensional engraved forms.
See --> p. 28 "the 3D Cutting Mode"

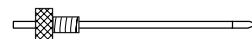
Check the Included Items



AC adapter: 1



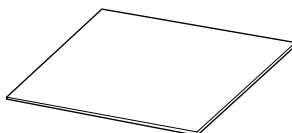
Power cord: 1



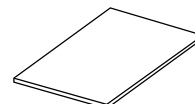
cutter: 1
(with cutter holder)



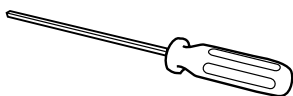
Depth regulator noses
(large 1 and small 1)



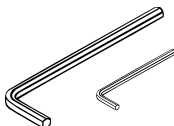
Adhesive sheet: 1



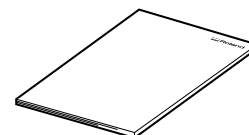
Test-use plate material: 1



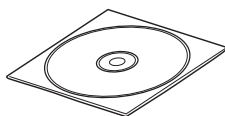
Hexagonal screw driver: 1



Hexagonal wrenches
(large 1 and small 1)



User's Manual: 1

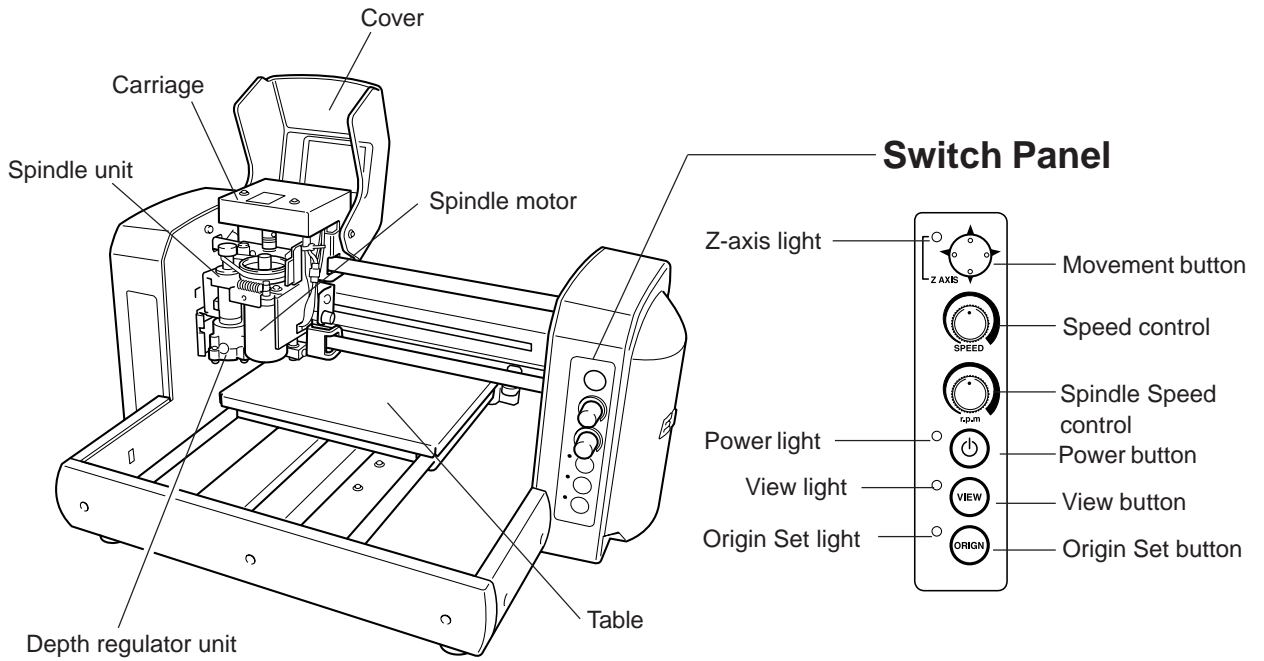


Roland Software Package
CD-ROM: 1

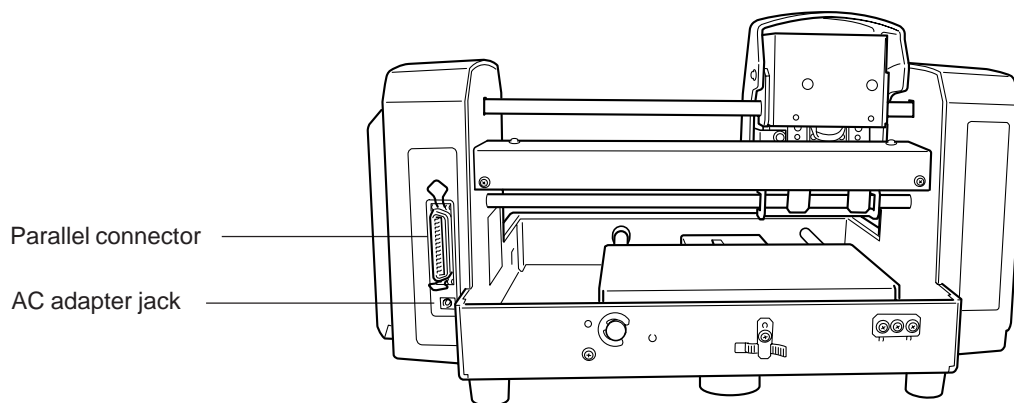
Names and Functions

The names of the parts of the EGX-20 are as follows.

Front



Rear



Setting Up and Connection

Setting

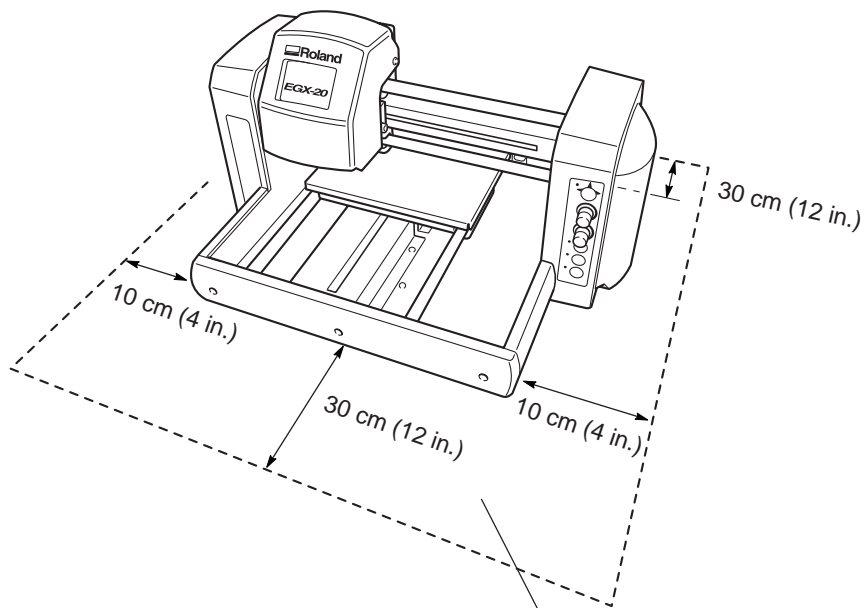
NOTICE

Never install this unit in any of the following situations, as it could result in damage:

- Places where the installation surface is unstable or not level.
- Places with excessive electrical noise.
- Places with excessive humidity or dust.
- The EGX-20 generates heat when used, and should not be installed in an area with poor heat radiation characteristics.
- Places with excessive vibration.

Use within a temperature range of 5 to 40°C (41 to 104°F) and within a humidity range of 35 to 80%.

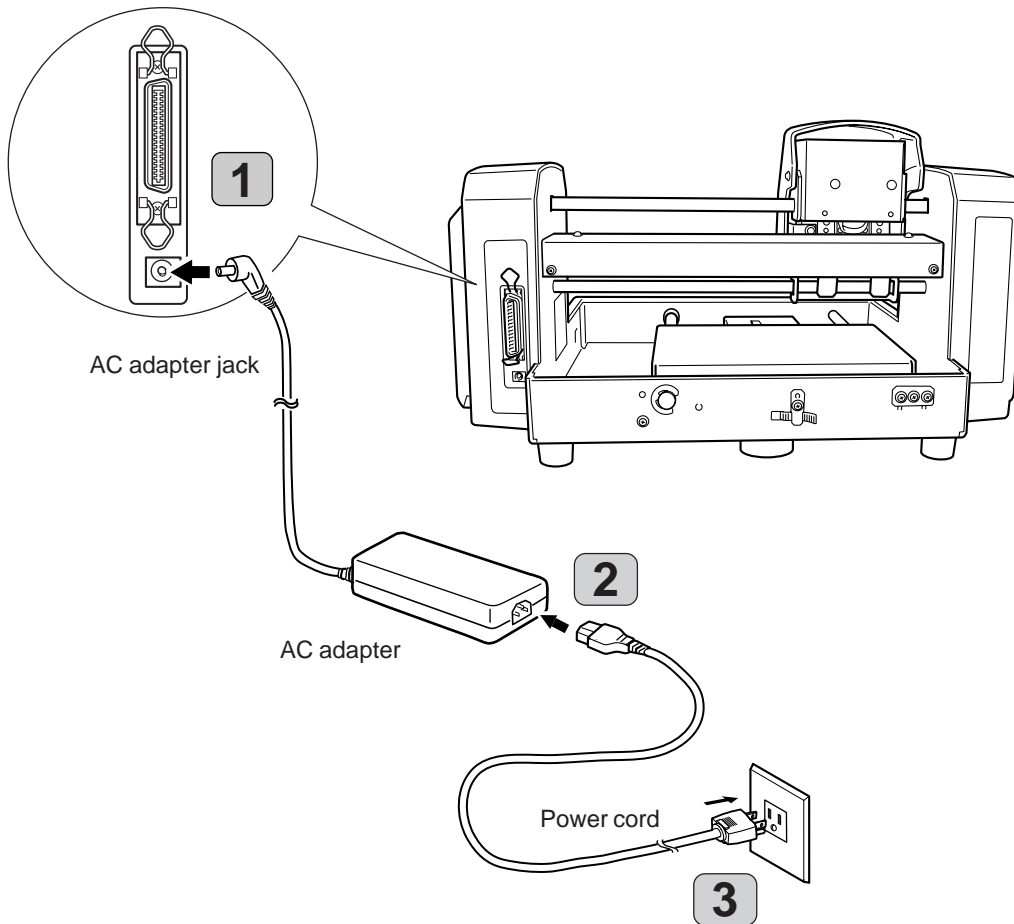
Securely connect the power cord, computer I/O cable and so on so that they will not be unplugged and cause failure during operation. Doing so may lead to faulty operation or breakdown.



* Do not place any object within the area

Connecting the AC Adapter and Power Cord

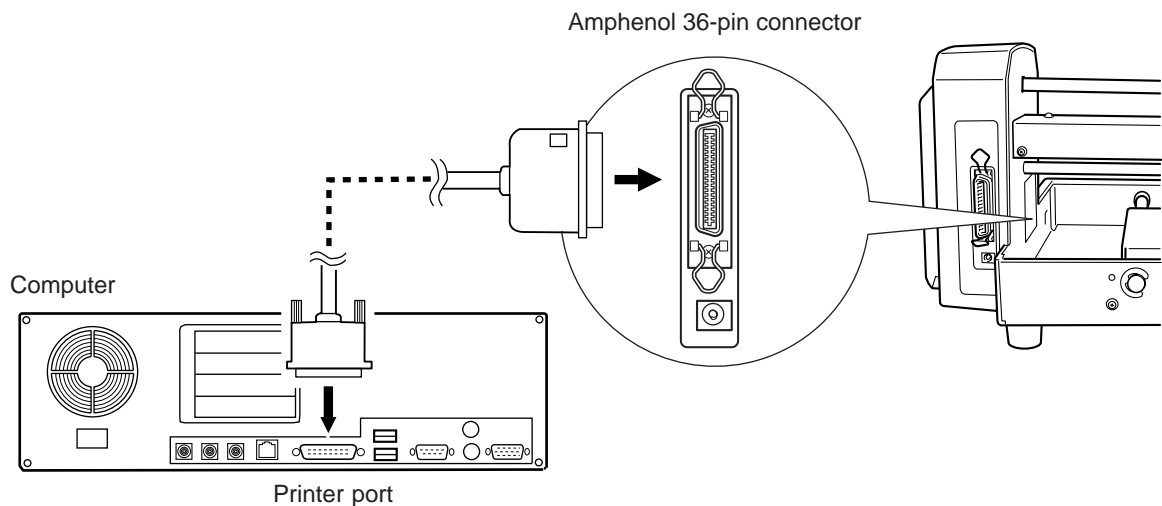
Connect in the order of the numbers shown in the figure.



Connecting to the Computer

To connect the machine and the computer, you can use either a parallel cable (IEEE 1284-compliant). The parallel cable is sold separately. Use a cable suited to the configuration of the printer port on your computer.

NOTICE Make the cable connections while the computer and the machine are switched off.

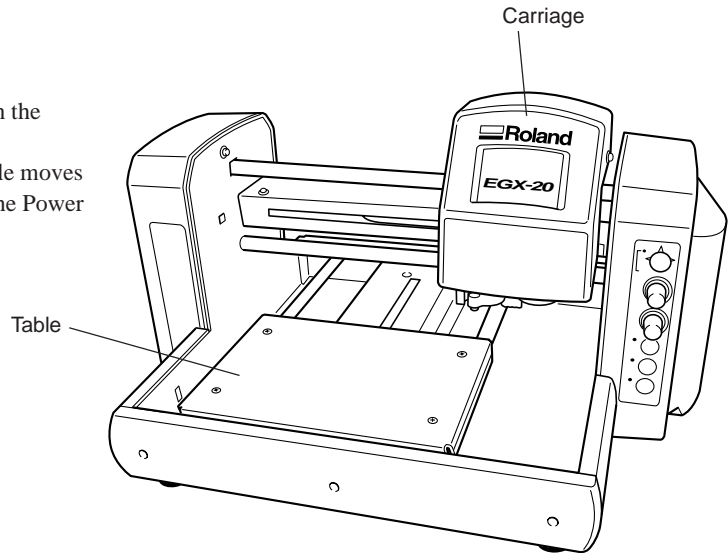


Attaching the Adhesive Sheet

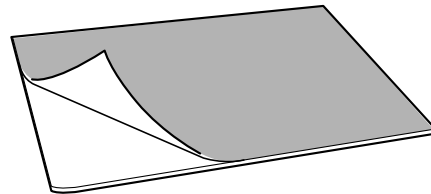
You use the included adhesive sheet to secure material to engrave to the table on the EGX-20. First you need to install the included adhesive sheet on the table.

NOTICE Be sure the unit is in View status when attaching the adhesive sheet.

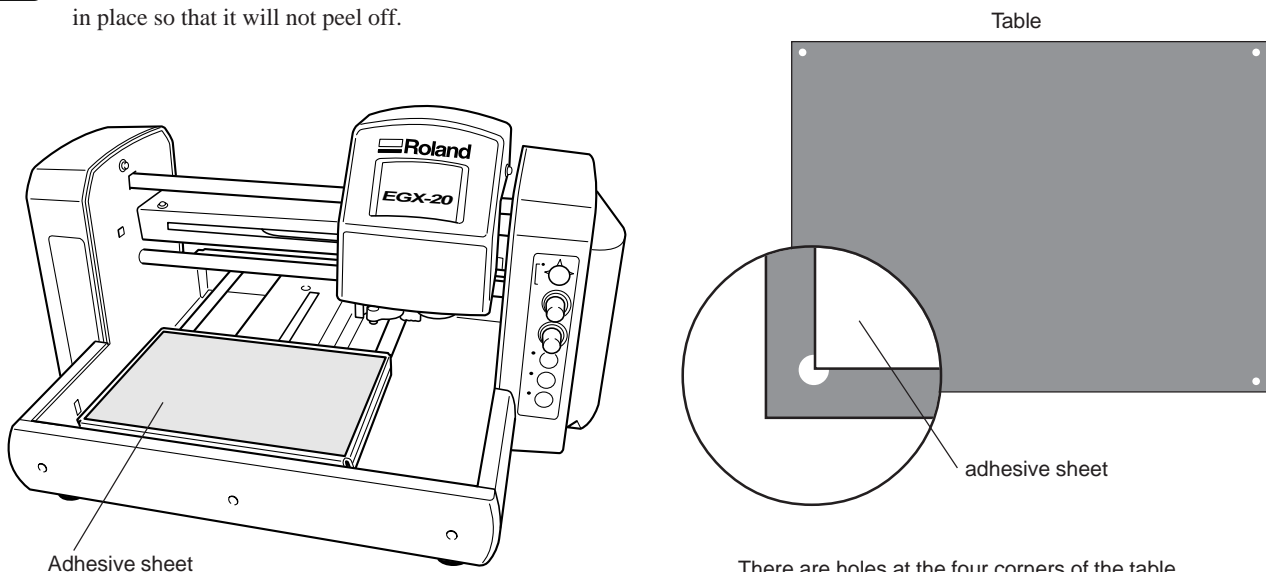
- 1** Press the power button on the EGX-20 to turn on the power. The carriage moves to the right edge and the table moves to the front, the unit goes into View status, and the Power and View lights light up.



- 2** Peel off the protective paper from both sides of the adhesive sheet.



- 3** Place the adhesive sheet on the table as shown in the figure at right, press down on it from above, and secure it in place so that it will not peel off.

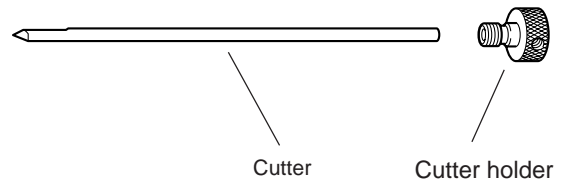


There are holes at the four corners of the table. Align the corner of the adhesive sheet with the lower-left hole.

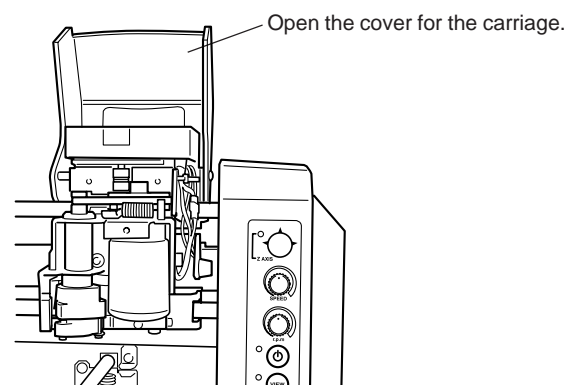
Installing the Cutter Holder

Before you install a cutter, you need to install the included cutter holder on the spindle unit.

- 1** A cutter holder is attached to the included cutter.
Remove the cutter from the cutter holder.

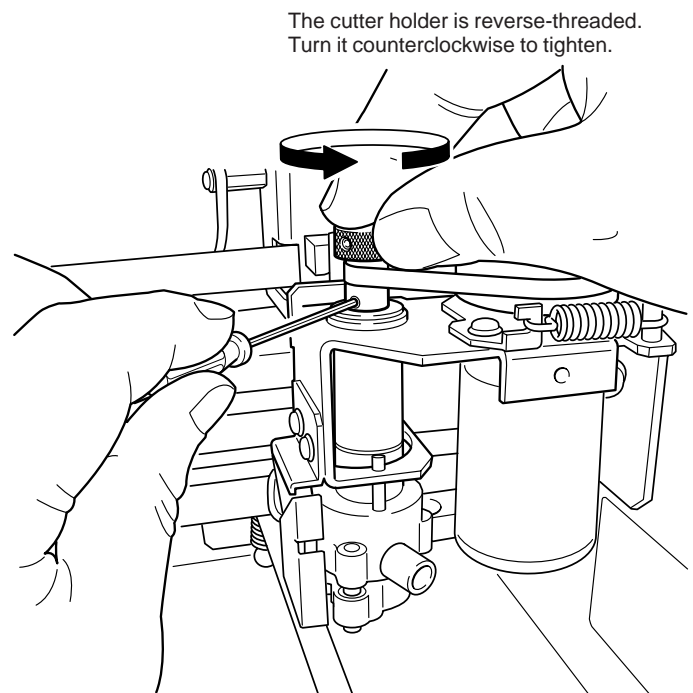


- 2** Open the cover for the carriage.



- 3** Orient the cutter holder so that the screw is underneath, insert the cutter holder into the spindle unit from above, then turn the cutter holder counterclockwise by hand to secure it in place.

The spindle unit moves when you do this, so insert the included hexagonal screwdriver into the hole in the spindle unit as shown in the figure to keep it from moving.



2 Installing and Setting Up the Software

To use the EGX-20, you need to install the driver on the computer connected to the EGX-20. The EGX-20 also comes with a number of programs for creating engraving and cutting data, which you can use to match the target task. To use these programs, you need to install and set them up on the computer connected to the EGX-20.

The Software You Can Install and Set Up

The drivers and programs are contained on the Roland Software Package CD-ROM.

Be sure to install a Windows driver.

Install and set up the other software, the programs, as required.

You can use the following drivers and programs with the EGX-20.

Driver or program	Overview
Windows driver	This is necessary when sending data from a program running under Windows to the EGX-20. Be sure to install it.
Virtual MODELA	This uses data created with 3D Engrave to perform simulations before cutting with the EGX-20. You can use it to check the finished shape as well as things like whether the cutting depth is suitable and how much time cutting will take. This can reduce loss for cutting materials and time.
Dr. Engrave	This is used to design text and shapes to engrave on a plate and to send the data to the EGX-20. You can use the TrueType fonts registered in Windows as the font style for text. You can even make stroke fonts from TrueType fonts. Because you can the outline of an image and convert it to line segments, it's also possible to include logos for companies or organizations in the plates you make.
3D Engrave	This adds thickness to a flat (two-dimensional) graphic to create a relief (raised engraving). You can also add thickness to figures and other images.

System Requirements

The following operating environment is required in order to use the drivers and programs just described. Make sure your system configuration meets these requirements.

Operating system	Windows 95/98/Me/NT 4.0/2000
Computer	Computer running Windows (Pentium processor or better recommended)
Drive	CD-ROM drive
Monitor	Windows-compatible monitor capable of displaying 256 colors or more
Memory	32 MB or more recommended
Free hard-disk space required for installation	25 MB (combined total for Dr. Engrave, 3D Engrave, and Virtual MODELA)
Interface	Printer port

Installation and Setup

NOTICE If the computer and the EGX-20 are already connected, then switch off the power to the EGX-20 before you perform installation and setup.

Installation and set up under Windows 2000/NT 4.0 require full access rights for the printer settings. Log on to Windows as a member of the "Administrators" or "Power Users" group. For more information about groups, refer to the documentation for Windows.

Follow the steps below to install and set up the driver and programs.

- 1 Turn on the computer and start Windows.
If you're running a virus-detection program, then quit the program. Also quit all running programs except Windows. In Windows, make sure no program icons appear on the taskbar, then go on to the next step.

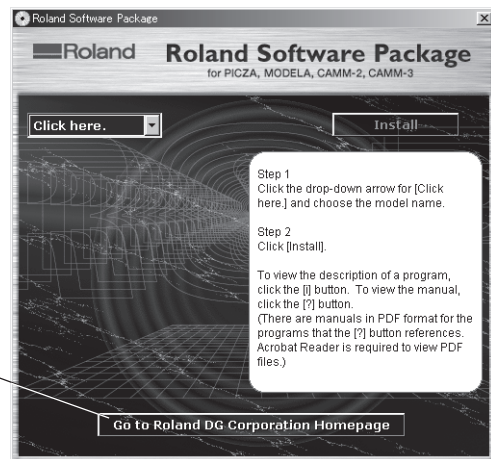
- 2 Insert the included CD-ROM into the CD-ROM drive.
The setup menu appears automatically.



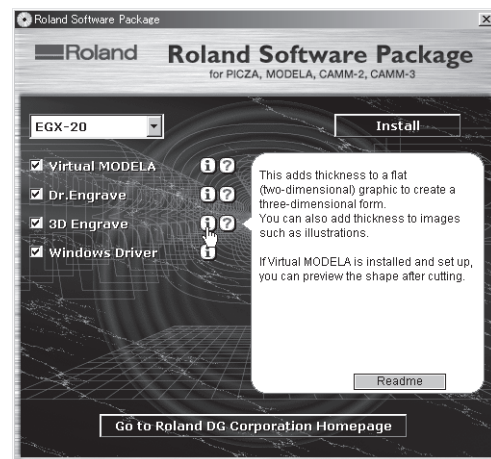
If the setup menu does not appear automatically even when the included CD-ROM is loaded in the CD-ROM drive, then use Windows Explorer to select the CD-ROM drive, then double-click "CDMenu.exe" to run it.

- 3 Click the drop-down arrow for [Click here], then from the menu that appears, select [EGX-20].

If your computer is connected to the Internet, the Roland DG Corp. website appears. Check this for information about updates to the driver and the like.

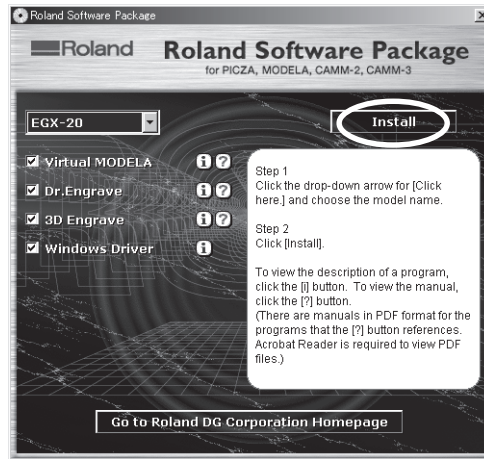


- 4 The programs you can install and set up with the EGX-20 appear.
You can view a description for each program by clicking the [i] button next to the corresponding program name. Also, to display the Readme file, click the [Readme] button. This lets you read the latest information that could not be included in the user's manual. Please be sure to read it before use.



This document does not contain manuals for the programs, but a manual in PDF format is available for each program shown with a [?] button. Click the button to display the PDF manual. Acrobat Reader is required to view PDF files. If Acrobat Reader is not already installed and set up on your computer, then the setup program for Acrobat Reader on the included CD-ROM starts automatically, allowing you to install and set it up.

5 You can choose to install and set up a program by selecting its corresponding check box. If you do not want to install a particular program, than clear the corresponding check box. Normally you should select all check boxes. Click the [Install] button.



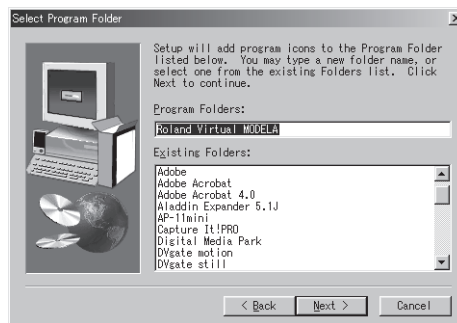
6 The setup screen ([Welcome] dialog box) appears for the program whose check box you selected. If you selected the check boxes for all programs, then the setup screens appear in succession, starting with Virtual MODELA. Click [Next].



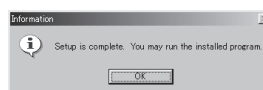
7 The [Select Install Location] dialog box appears. If you want to change the folder to install to, then click [Browse]. The [Select Directory] dialog box appears. Choose a drive and folder, then click [OK]. Click [Next].



8 The [Select Program Folder] dialog box appears. There is no special need to change the program folder. After you have made sure of the program folder, click [Next]. Installation starts.

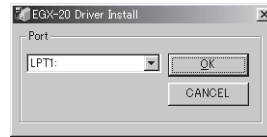


9 When installation finishes, a prompt dialog box appear. Click [OK]. When the installation of one program finishes, installation of the next one starts. In the interval until the next setup starts, a dialog box showing the progress of processing is displayed.

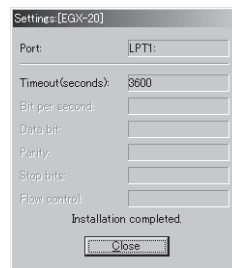


- 10** The setup screen ([Welcome] dialog box) appears for the next program to install.
Carry out steps **6** through **9** on the previous page.
Install Dr. Engrave and 3D Engrave.

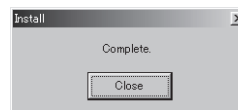
- 11** When installation of 3D Engrave finishes, the [EGX-20 Driver Installation] dialog box appears.
Choose the port for connecting the EGX-20.
The EGX-20 connects to a printer port. If your computer has a single printer port, select [LPT1:].
Click [OK].
The EGX-20 driver is installed.




- 12** When installation of the EGX-20 driver finishes, the [Settings: [EGX-20]] dialog box appears.
Make sure the values are correct, then click [Close].

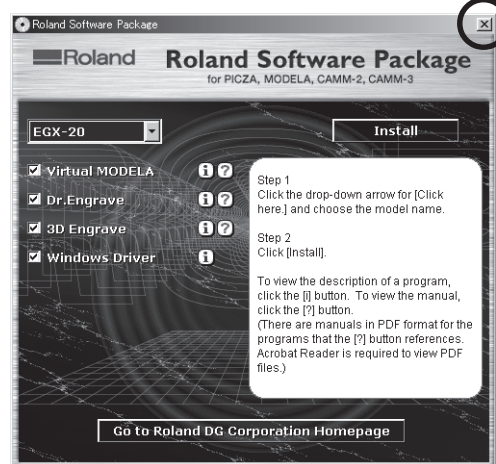


- 13** When all installation and setup finishes, a prompt dialog box appears. Click [Close].



- 14** When the setup menu screen reappears, click the  button.

- 15** Take the CD-ROM out of the CD-ROM drive.



3 Creating a Nameplate (Operations in the Engraving Mode)

This section describes the basic steps for engraving using the EGX-20, taking the procedure for engraving the plate included with the machine as an example.

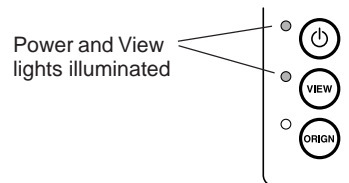
Loading Material

You use the included adhesive sheet to secure material to engrave to the table on the EGX-20.

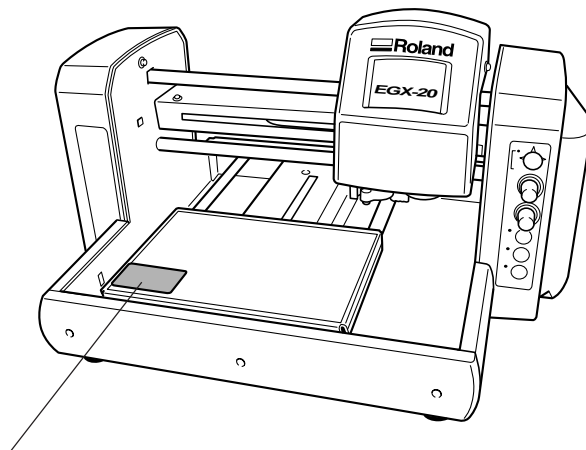
NOTICE Before you load material, attach the included adhesive sheet.
See --> p. 10 "Attaching the Adhesive Sheet"
Be sure the unit is in View status when loading material.

1 If the EGX-20 is switched off, press the power button to turn it on.
The carriage moves to the right edge and the table moves to the front, the unit goes into View status, and the Power and View lights light up.

If the EGX-20 is turned on but the View light is not illuminated, press the View button.
The carriage moves to the right edge and the table moves to the front, the unit goes into View status, and the Power and View lights light up.



2 Place the plate on the adhesive sheet, then press down on it from above to anchor it securely.
You can place the item anywhere on the adhesive sheet. However, if the plate is placed at an angle with respect to the table, the engraving will not be straight. Place it so that it is aligned straight with the corners and sides of the table.

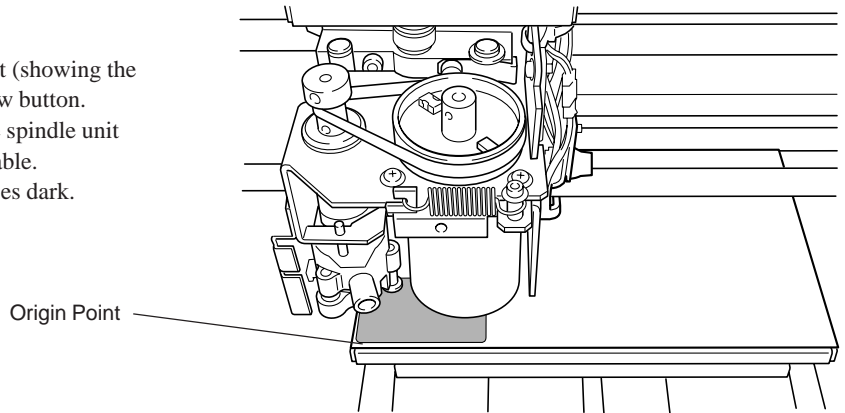


Place the plate on the adhesive sheet, then press down on it from above to anchor it securely.

Installing a Cutter

Move the spindle unit to above the plate (material) mounted on the table, then install a cutter.

- 1 If the View light on the switch panel is lit (showing the machine is in View status), press the View button. The spindle unit and table move, and the spindle unit moves to above the origin point on the table. When movement ends, the View light goes dark.

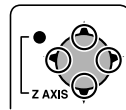


The origin point is a reference point that the EGX-20 uses for starting engraving. When the machine is shipped from the factory, the origin point is set at the lower left corner of the table.

You can also move the spindle unit and the table and set the origin point at a different location.

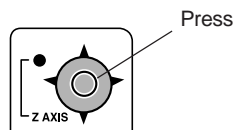
See --> p. 19 "Setting the Origin Point"

- 2 Use the movement button on the switch panel to move the spindle unit. The movement button is a joystick. Pressing the movement button up, down, or to the left or right makes the spindle unit and table move in the corresponding vertical or horizontal direction. Move the spindle unit to about the center of the plate (material) mounted on the table.



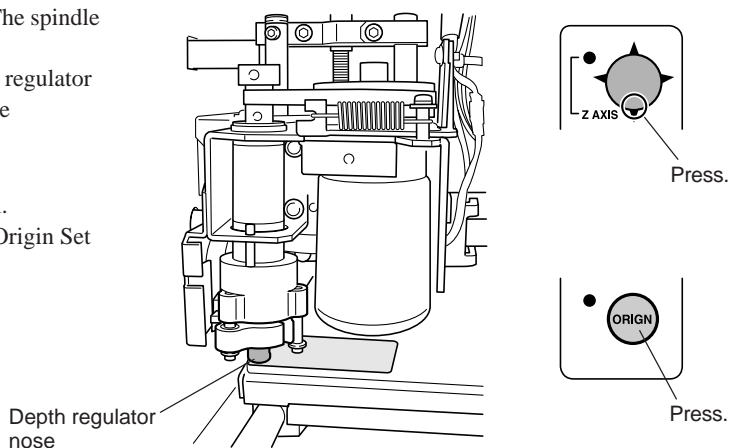
Press up, down, or to the left or right.

- 3 Press and hold the center of the movement button for short while (0.6 second or longer). The Z-axis light illuminates, indicating that it is now possible to move the spindle unit up and down.

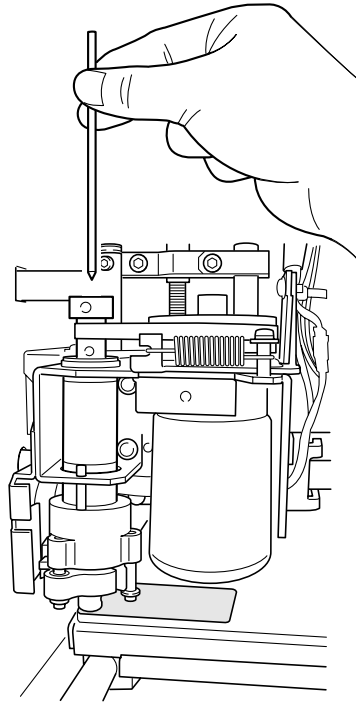


- 4 Press the lower part of the movement button. The spindle unit descends while you hold down the button. Movement stops automatically when the depth regulator nose contacts the plate (material), so release the movement button.

- 5 Press the Origin Set button on the switch panel. The spindle unit descends by 0.5 mm and the Origin Set light lights up.

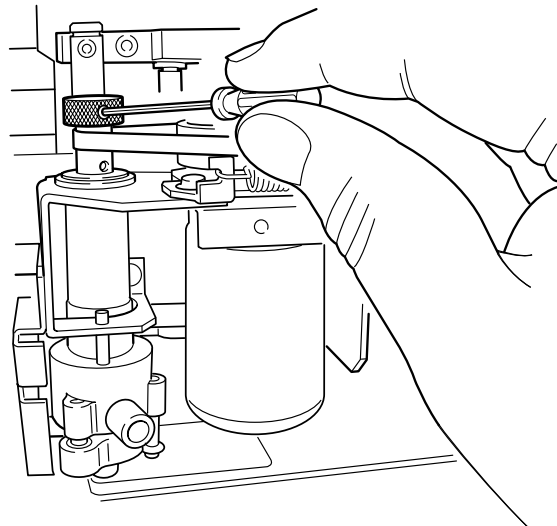


- 6** Insert the cutter into the hole in the cutter holder, then slowly lower the cutter. Lower until the cutter touches the plate.



NOTICE Before you install a cutter, install the cutter holder.
See --> p. 11 "Installing the Cutter Holder"

- 7** Use the included hexagonal screwdriver to tighten the retaining screw for the cutter holder. Tighten secure so that the cutter does not come loose during engraving.



- 8** Press the Origin Set button on the switch panel. The spindle unit rises 0.5 mm and the Origin Set light goes dark.

Setting the Origin Point

When loading material, be sure to set the origin point.

The origin point is the reference point for engraving. You set it individually for each piece of material you load.

Omitting this operation may result in locations other than the material being engraved.



Basic Steps for Moving the Spindle Unit

When you installed the cutter in the spindle unit, you performed operations to move the spindle unit. These steps can be summed up as follows.

- The operation differs according to whether the View light and Z-axis light on the switch panel are illuminated or dark.
- Changing between the lighted View light (indicating View status) and dark View light
Press the View button on the switch panel.
- When the View light is illuminated
You cannot move the spindle unit.
- When the View light is dark
You can move the spindle unit using the movement button.
- Changing between the lighted and dark Z-axis light
Press and hold the center of the movement button for a short while (0.6 second or more).
- When the Z-axis light is illuminated
You can move the spindle unit up and down using the movement button.
- When the Z-axis light is dark
You can move the spindle unit vertically or horizontally using the movement button.

1

Refer to the preceding "Basic Steps for Moving the Spindle Unit" and move the spindle unit as follows.

1. If the cutter is touching the plate (material), move the spindle unit upward to separate it slightly from the material.
2. Move the cutter to position it above the lower left corner of the plate (material).

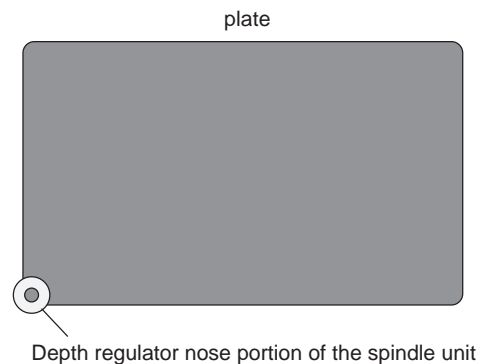
2

If the Z-axis light is dark, press and hold the Origin Set button for a short while (0.3 second or more).

(Pressing the Origin Set button lights the Origin Set light. Make sure the light is illuminated, then release the button. The Origin Set light goes dark.)

The vertical and horizontal locations of the origin point are set.

This completes the setting for the origin point.



Pressing the Origin Set button while the Z-axis light is lit lowers the spindle unit and puts the machine in the state for installing a cutter.

When you are engraving a nameplate, there is no need to set a height-location origin point. The sensors automatically detect the surface location of the plate (material).

Creating Data with Dr. Engrave

This section describes the basic steps for engraving a nameplate using Dr. Engrave.



The following explanation is for Windows 95/98/Me.

For an explanation for Windows NT 4.0/2000, or for a more detailed explanation, see the help for Dr. Engrave or refer to the Dr. Engrave User's Manual (PDF) on the Roland Software Package CD-ROM.

Starting Dr. Engrave

1

In Windows, click the [Start] button. At the Start menu, point to [Programs], then [Roland Dr. Engrave]. At the menu that appears, click [Dr. Engrave]. Dr. Engrave starts.



Specifying the Size of the Plate to Engrave

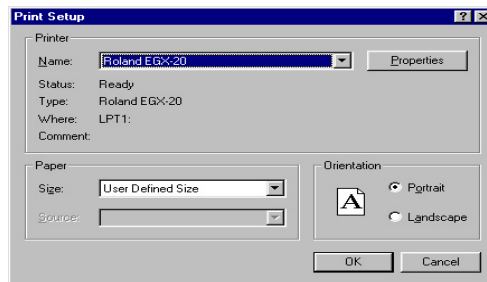
Make the size of the engraving area displayed by Dr. Engrave the same as the size of the actual plate to engrave. This is analogous to choosing the form size in a word-processing program.

1

In Dr. Engrave, from the [File] menu, select [Print Setup].

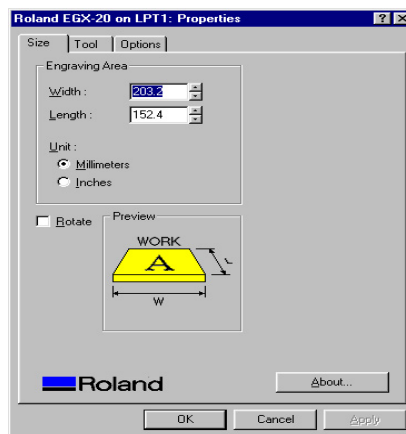
2

The [Print Setup] dialog box appears. Make sure the printer name is set to [Roland EGX-20] (if the printer name is not [Roland EGX-20], then click the drop-down arrow and select [Roland EGX-20]), then click [Properties].



3

The [Roland EGX-20 on LPT1: Properties] dialog box appears. Measure the size of the plate to engrave with a ruler or the like, type in the values in the [Width] and [Length] entry boxes, then click [OK].



4

The [Print Setup] dialog box appears again, then click [OK]. The engraving area that Dr. Engrave displays is shown at the size you specified.

Entering Text

Enter the text to engrave on the plate.

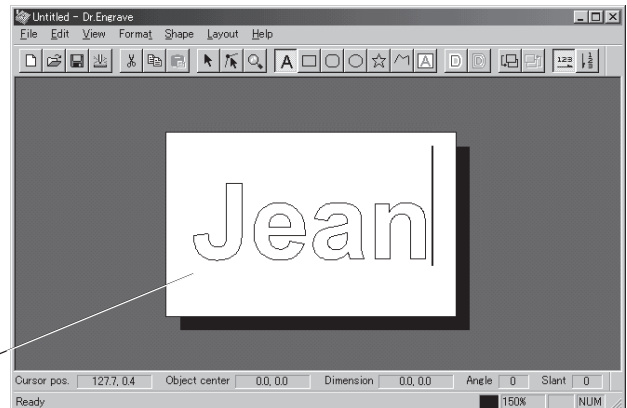
1

At the toolbar, click **A**.

2

Click the location in the engraving area where you want to type in text, then enter the text using the keyboard.

Engraving area



Selecting the Font

Specify a font for the text string you entered.

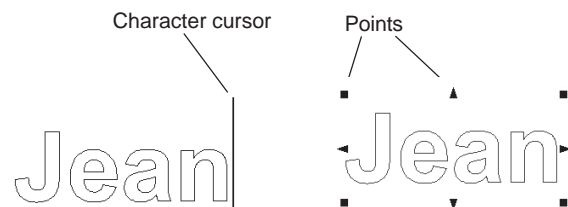
1

At the toolbar, click **A**, then click the text string whose font you want to change.

The character cursor appears in the text string.

Alternatively, at the toolbar click **A**, then click the text string whose font you want to change.

Points appear around the text string.



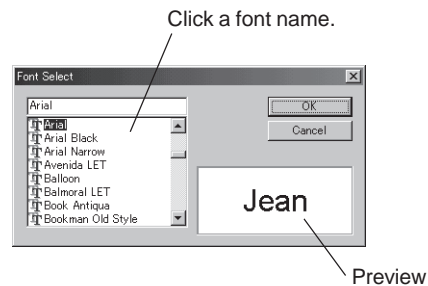
2

From the [Format] menu, select [Font].

3

The [Font Select] dialog box appears.

Clicking a font name displays the text in the preview field with the font you chose, allowing you to find the font you want.



4

After you have selected the font you want, click [OK].




In the [Font Select] dialog box, font names that start with "Plot" are stroke fonts.

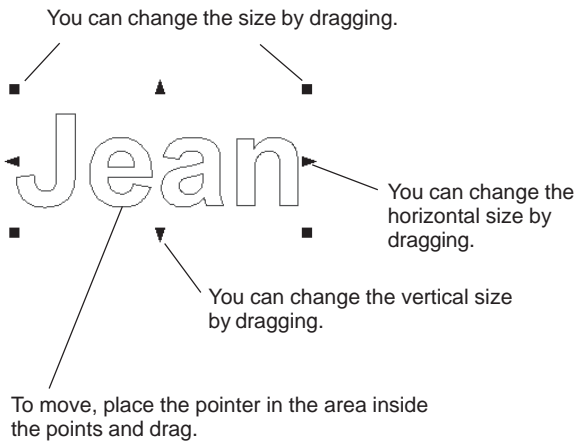
See --> p. 24 "Stroke Fonts"

Working with Text Strings

You can resize and deform a text string by manipulating the points displayed around the string.

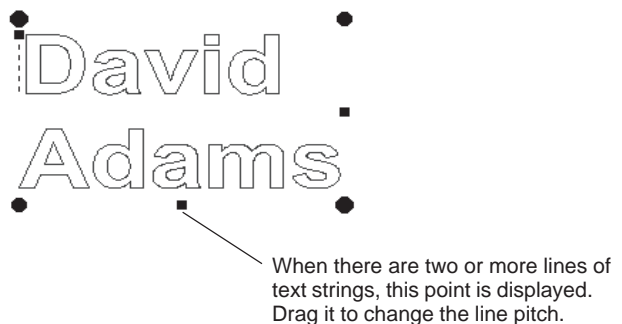
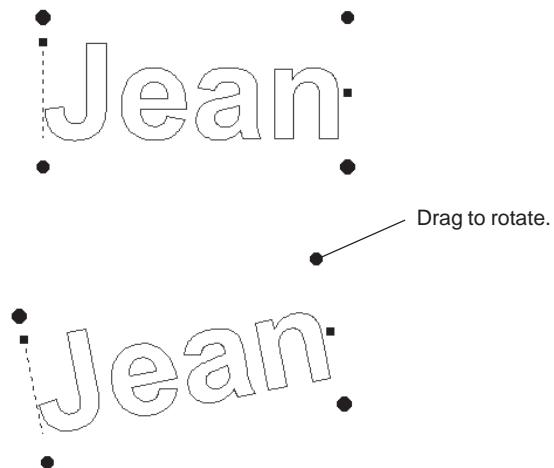
Resizing and Moving

- 1 At the toolbar, click , then click the text string. Points appear around the text string.
- 2 You can change the size of the text string by lining up the pointer with a point and dragging. You can change the size while keeping the vertical/horizontal aspect unchanged by holding down the [Shift] key on the keyboard as you drag the point (■).
- 3 You can move a text string by placing the pointer inside the area bounded by the points and dragging.



Rotating Text, Italic Text, and Changing the Character Pitch



- 1 When a text string is displayed with points, clicking the text string changes the appearance of the points.
- 2 You can rotate a text string by lining up the pointer with a point (●) and dragging. You can also make a text string italic, or change the character or line pitch.

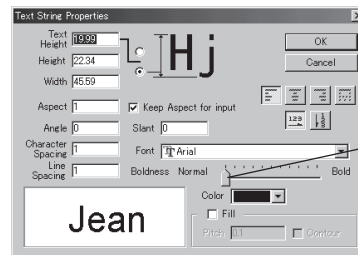


- 3 To hide points, click in the area outside the points.

Text-string Settings

You can specify numerical value for rotation, slanting, character pitch, and so on in a dialog box.




- 1 At the toolbar, click , then click the text string.
The character cursor appears in the text string.
Alternatively, at the toolbar click , then click the text string.
Points appear around the text string.
- 2 From the [Format] menu, select [Properties].
- 3 The [Text string Properties] dialog box appears.
Changing the settings for any of the items updates the settings for the text shown in the preview field.
- 4 When you have finished making the settings, click [OK].



You can change the character boldness.

Filling a Text String

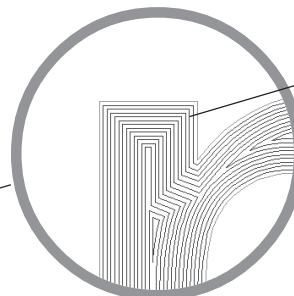
If the Fill setting is not made, only the outlines of characters are engraved.
When the Fill setting is made, the interiors of characters are all engraved by flat-dragging.



- 1 At the toolbar, click , then click the text string.
The character cursor appears in the text string.
Alternatively, at the toolbar click , then click the text string.
Points appear around the text string.
- 2 At the toolbar, click .
Alternatively, from the [Shape] menu, select [Fill].
- 3 The [Fill Setup] dialog box appears.
Click [Fill] to select the check box.
[Pitch] is the engraving spacing of the cutter.
When you're using the included cutter, set this to [0.1].
- 4 When you have finished making the settings, click [OK].
Pitch lines appear in the characters.
The cutter moves along these lines as it engraves.



When you click this to select the check box, flat-drag engraving of the interiors of the character outlines is performed, then the contour lines of the characters are engraved.


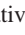

You can specify colors and vary the engraving depth for each color.

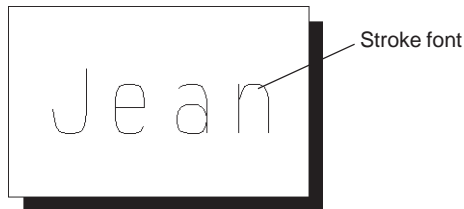
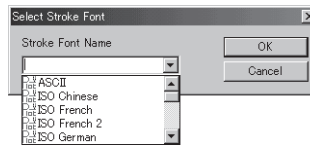


Enlarged area
Click  on the toolbar to make the pointer change to , then click the location where you want to zoom in.
Right-click to zoom out.

Stroke Fonts

You can change text to stroke fonts and carry out engraving.
Line width when engraving varies according to the cutter width and engraving depth.





- 1 At the toolbar, click , then click the text string.
The character cursor appears in the text string.
Alternatively, at the toolbar click , then click the text string.
Points appear around the text string.
- 2 At the toolbar, click .
Alternatively, from the [Format] menu, select [Make Stroke].
- 3 The [Select Stroke Font] dialog box appears.
Click the drop-down arrow to display the menu, then select a stroke font.
- 4 After you have selected the font you want, click [OK].



In the [Font Select] dialog box as well, you can specify a stroke font by selecting a font whose name starts with "Plot."
See --> p. 21 "Selecting the Font"

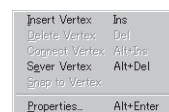
Converting to Polygons

You can convert text strings to graphic shapes (polygons). This makes it possible for you to modify the shape of characters, to create logos, for example.

- 1 At the toolbar, click , then click the text string.
The character cursor appears in the text string.
Alternatively, at the toolbar click , then click the text string.
Points appear around the text string.
- 2 From the [Shape] menu, select [Convert to Polygon].
The text string is convert to a shape.
- 3 When the text string is displayed with points, clicking  on the toolbar displays points at the vertices of the polygon.
Alternatively, click  on the toolbar, then click the polygon. Points appear at the vertices of the polygon.
- 4 You can change the shape by dragging the points.
You can also insert and cut away vertices by moving the pointer to a line or point and right-clicking.



Example of Converting a Stroke Font to a Polygon



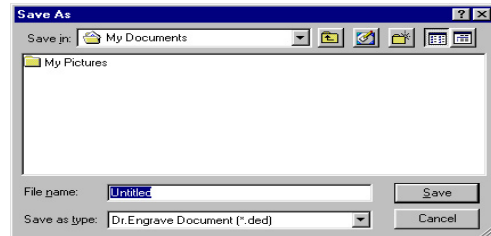
This menu appears when you move the pointer to a line or point, then right-click.

Saving Data

Save the data you have created to a hard disk or the like.

1 At the toolbar, click . Alternatively, go to the [File] menu and select [Save As].

2 The [Save As] dialog box appears. Specify the information for [Save in] and [File Name], then click [Save].



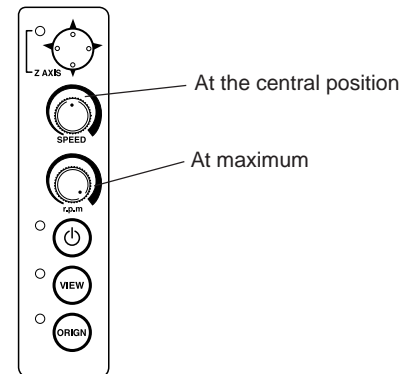
Setting the Cutting Parameters

Before you carry out engraving, adjust the Speed control and Spindle Speed control on the switch panel of the EGX-20. When you're performing engraving for the first time, set the Speed control at the central position and the Spindle Speed control at its maximum setting.

Also, if you're using acrylic material and the included blade, then you may leave the settings for the EGX-20 driver at their default values.

Go ahead and try engraving using these settings.

In some cases it may not be possible to perform engraving smoothly. In such cases, examine the engraving results and adjust the settings for the cutting parameters, repeating this process of trial and adjustment until you obtain good engraving results.



General Suggestions for Making Adjustments

Depending on the engraving results, make the settings as described below. Use the Speed control and the Spindle Speed control to make the adjustments.

- If engraved places are rough (not smooth), then lower the speed.
- If the material melts or suffers burring, lower the spindle speed.
- If the spindle speed is too fast, the material may melt. Lower the spindle speed.
Also, if there is buildup of melted cuttings in engraved grooves, you may be able to remove them by scrubbing with a toothbrush or the like.
- Increasing the spindle speed when using a narrower blade and reducing it when using a thicker blade may produce better results.
- In many cases, slower speeds produce attractive finished results, but a speed that is too slow may cause melting.

Make the following adjustments with the driver.

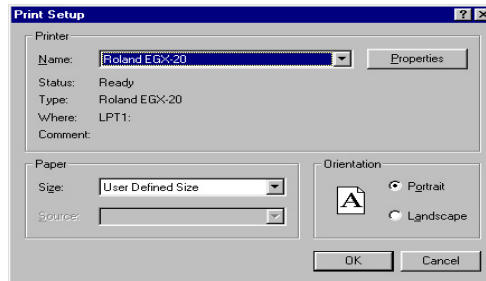
- The default engraving depth is 0.1 mm. You can engrave at a greater depth by changing the value for the driver setting [Z Down Position]. The maximum depth at which you can engrave is 1.0 mm. (In the driver, you make the setting by specifying a value prefixed by a minus sign ["-"].) A greater engraving depth yields correspondingly wider lines. This means that text characters also become thicker.
- If the engraving depth is too deep, it may not be possible to obtain attractive results even when the speed and spindle speed are adjusted.
- One method for obtaining engraving results that are attractive yet deep is to perform the same engraving twice.
(For example, setting [Z Down Position] to -0.18 mm and [Z Engraving Pitch] to 0.10 mm and performing the same engraving twice results in engraving at a depth of 0.18 mm.)
- Leave [Z Up Position] set to 0.50 mm at all times. Lower values result in less wasted movement.
- You can obtain attractive engraving results by setting [Fill Pitch] to 80% or less than the width of the cutter -- actually at about 50%.
See --> p. 23 "Filling a Text String"

Adjusting the Driver Settings

Follow the steps below to set the cutting parameters for the driver.

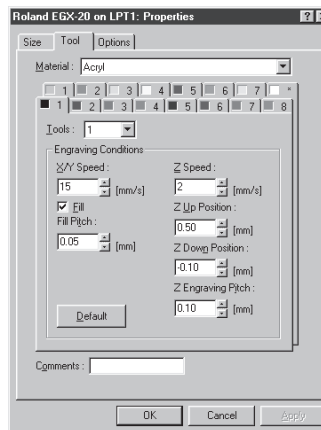
1 In Dr. Engrave, from the [File] menu, select [Print Setup].


2 The [Print Setup] dialog box appears. Make sure the printer name is set to [Roland EGX-20] (if the printer name is not [Roland EGX-20], then click the drop-down arrow and select [Roland EGX-20]), then click [Properties].



3 The [Roland EGX-20 on LPT1: Properties] dialog box appears. Click the [Tool] tab.

4 The [Tool] page appears. Change the values for items that need to be adjusted, then click [OK].



Clicking **?** at the upper right of the dialog box changes the pointer to , which you can then use to click an item you want to learn about in detail. A detailed explanation appears.

5 To return to the [Print Setup] dialog box, click [OK].

Performing Engraving

Now Let's try engraving a name on a plate.

If the View light on the EGX-20 is illuminated, press the View button to make the View light go dark.

1

At the toolbar, click .

Alternatively, go to the [File] menu and select [Print].

2

The [Print Setup] dialog box appears.

Make sure the printer name is set to [Roland EGX-20] (if the printer name is not [Roland EGX-20], then click the drop-down arrow and select [Roland EGX-20]), then click [OK].

Cutting starts.

3

When engraving ends, the spindle unit rises all the way to the top and stops there.

Then, remove the material, press the View button.

The carriage moves to the right edge and the table moves to the front, allowing you to detach the material from the adhesive sheet.

Use a toothbrush or the like to carefully brush away any buildup of cuttings on the material or the adhesive sheet.

Also, use a vacuum cleaner to carefully clean away any cuttings remaining on the EGX-20.

Emergency Stop

If some problem occurs while engraving is in progress and you want to stop the EGX-20, follow the steps below.

1

Press the power button on the switch panel.

2

If there is a printer icon on the taskbar in Windows, double-click the icon.

The progress of printing is displayed. Delete the document.

4 The 3D Cutting mode

To cut thick material and produce a relief or the like, the EGX-20 must be in the 3D Cutting mode. To enable the 3D Cutting mode, first detach the depth regulator unit from the spindle unit.

Removing the Cutter

If a cutter is installed, then remove the cutter first.

1

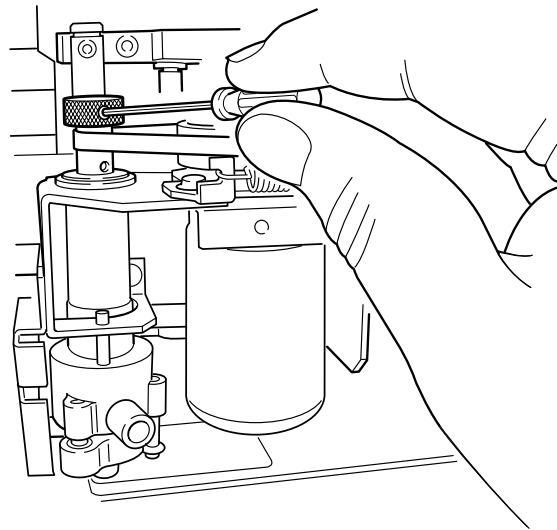
Open the cover for the carriage.

2

Use the included hexagonal screwdriver to loosen the retaining screw for the cutter holder.

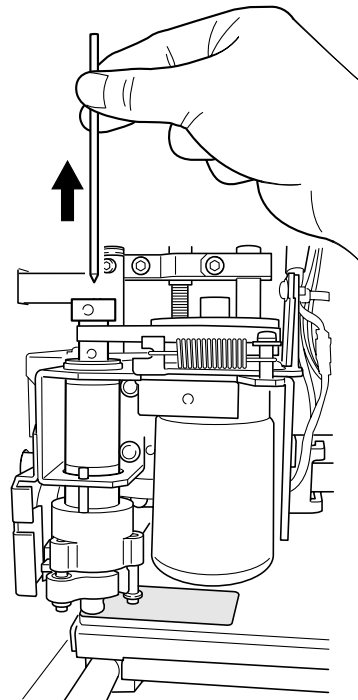


The screw is attached to the cutter holder in such a way that it can be loosened but not detached completely.



3

Grasp the top of the cutter and pull it up and out.



Detaching the Depth Regulator Unit

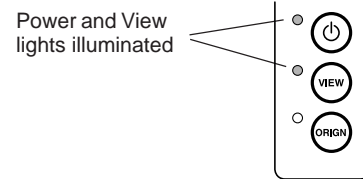
1

If the EGX-20 is switched off, press the power button to turn it on.

The carriage moves to the right edge and the table moves to the front, the unit goes into View status, and the Power and View lights light up.

If the EGX-20 is turned on but the View light is not illuminated, press the View button.

The carriage moves to the right edge and the table moves to the front, the unit goes into View status, and the Power and View lights light up.

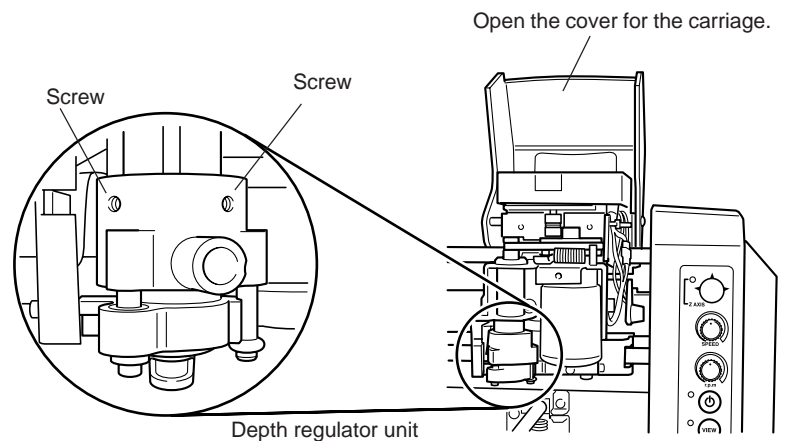


2

Press the power button to switch off the power.

3

Open the cover for the carriage.



4

The depth regulator unit is secured in place by two screws.

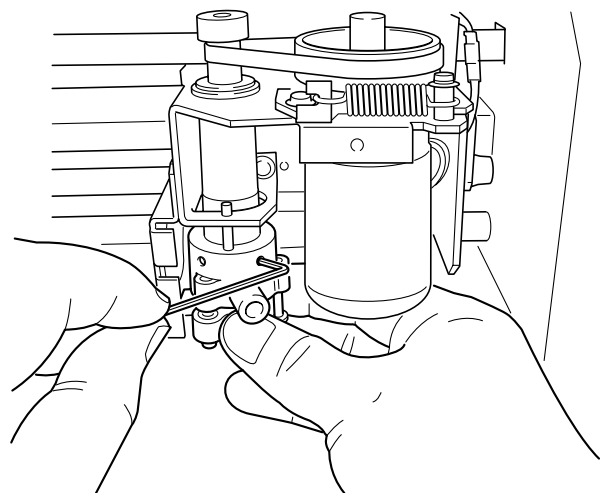
Use the included small hexagonal wrench to loosen the two screws.

When you do this, support the depth regulator unit with your hand to keep it from falling.

After loosening the two screws, move the depth regulator unit downward and detach it from the spindle unit.



Store the depth regulator unit in a safe place to guard against losing it.



When you switch on the EGX-20, a sensor checks whether the depth regulator unit is installed. At this time, the machine goes into the Engraving mode if the depth regulator unit is installed and the 3D Cutting mode if it is not installed.

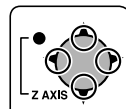
Installing a Cutter

In the 3D Cutting mode, you install a cutter before you load material.

1 Press the power button to turn on the power. The carriage moves to the right edge and the table moves to the front, the unit goes into View status, and the Power and View lights light up.

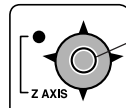
2 Press the View button. The spindle unit and table move, and the spindle unit moves to above the origin point on the table. When movement ends, the View light goes dark.

3 Use the movement button on the switch panel to move the spindle unit to about the center of the table.

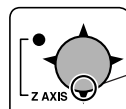


Press up, down, or to the left or right.

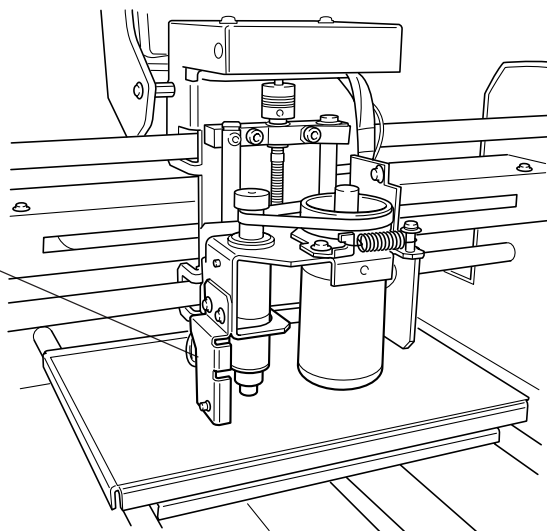
4 Press and hold the center of the movement button for a short while (0.6 second or more). The Z-axis light illuminates, indicating that it is now possible to move the spindle unit up and down.



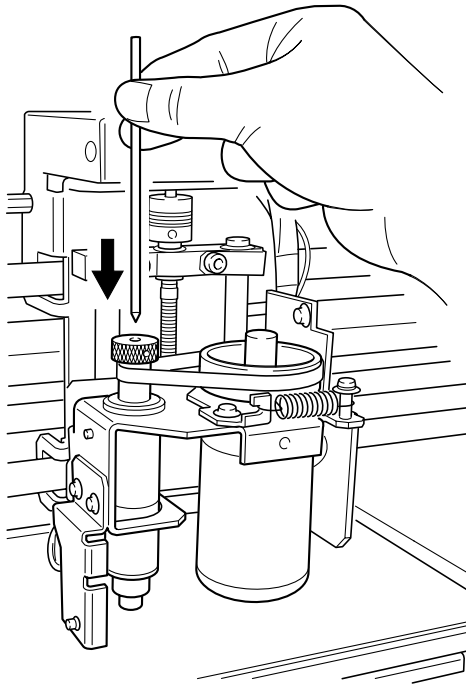
5 Press the lower part of the movement button. The spindle unit descends while you hold down the button. Hold down the movement button until the spindle unit stops automatically.



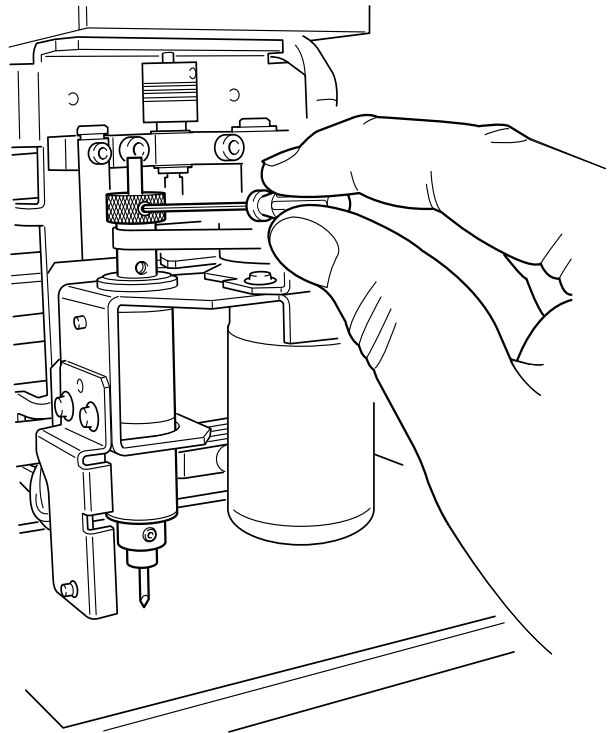
The spindle unit stops, leaving a small gap.



- 6** Insert the cutter into the hole in the cutter holder, then slowly lower the cutter. Lower it until the cutter touches the adhesive sheet.



- 7** Use the included hexagonal wrench to tighten the retaining screw for the cutter holder and secure the cutter in place.



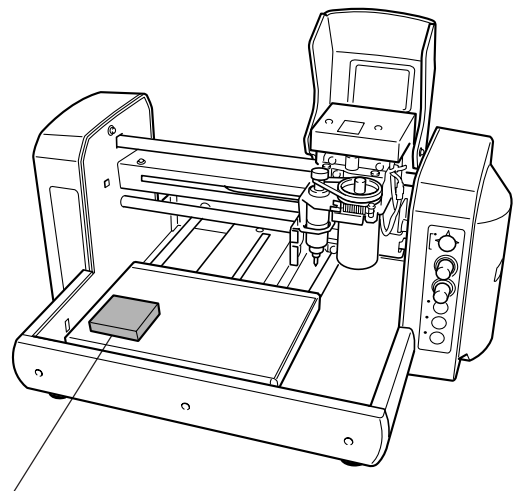
Loading Material

You use the included adhesive sheet to secure material to engrave to the table on the EGX-20.

NOTICE Before you load material, attach the included adhesive sheet.
See --> p. 10 "Attaching the Adhesive Sheet"
Be sure the unit is in View status when loading material.

- 1** If the View light is dark, then press the View button. The carriage moves to the right edge and the table moves to the front, the unit goes into View status, and the Power and View lights light up.

- 2** Place a piece of material on the adhesive sheet, then press down on it from above to anchor it securely. You can place the item anywhere on the adhesive sheet. However, if the plate is placed at an angle with respect to the table, the engraving will not be straight. Place it so that it is aligned straight with the corners and sides of the table.



Place the plate on the adhesive sheet, then press down on it from above to anchor it securely.

Setting the Origin Point

When loading material or installing a cutter, be sure to set the origin point.

The origin point is the reference point for engraving. You set it individually for each piece of material you load.

In the 3D Cutting mode, you separately set the origin point for the vertical and horizontal position of the material and the origin point for the height (thickness).

Omitting this operation may result in locations other than the material being engraved.

Setting the Height Origin Point

1

Refer to "Basic Steps for Moving the Spindle Unit" on page 19 and move the spindle unit as described below.

1. Move the spindle unit to position it at the center of the material.
2. Move the spindle unit downward until the cutter is nearly touching the surface of the material.

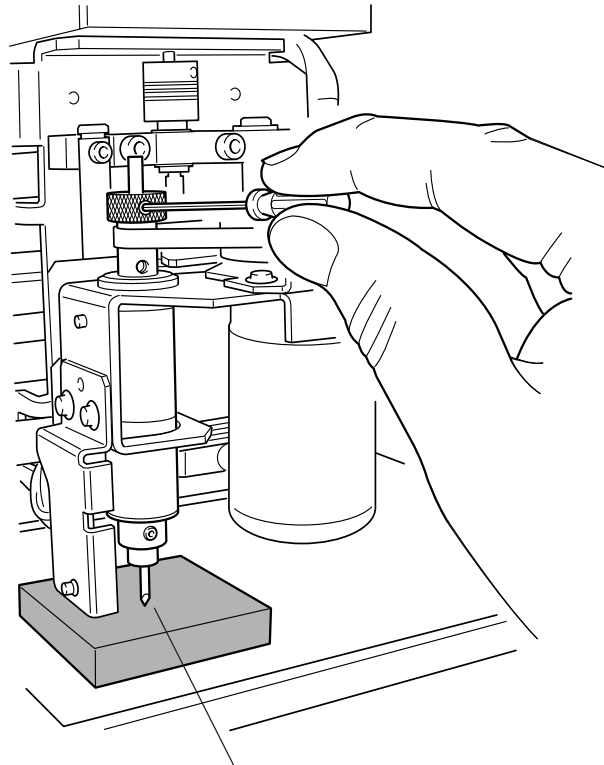


In the 3D Cutting mode, the cutter rotates when you lower the spindle unit. Lowering the cutter until it touches the material results in the material being cut. Stop it at a location where it does not quite make contact.

2

Loosen the retaining screw for the cutter holder and move the cutter until it touches the material.

When the cutter is touching the material, tighten the retaining screw for the cutter holder to secure the cutter in place.



Loosen the retaining screw for the cutter holder and move the cutter until it touches the material.

3

Make sure the Z-axis light on the switch panel is illuminated, then press and hold the Origin Set button for a short while (0.3 second or more).

(Pressing the Origin Set button lights the Origin Set light. Make sure the light is illuminated, then release the button. The Origin Set light goes dark.)

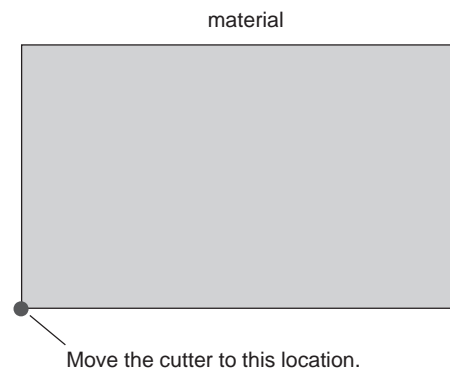


You can set the height origin point by pressing the Origin Set button when the Z-axis light is illuminated.

Setting the Origin Point for the Vertical and Horizontal Position

1

Refer to "Basic Steps for Moving the Spindle Unit" on page 19 and move the spindle unit so that the cutter is positioned above the lower left corner of the material. Lower the spindle unit to check whether the cutter is at the lower left corner.

**2**

If the Z-axis light on the switch panel is illuminated, press and hold the center of the movement button for a short while (0.6 second or more). Make sure the Z-axis light is dark, then press and hold the Origin Set button for a short while (0.3 second or more). (Pressing the Origin Set button lights the Origin Set light. Make sure the light is illuminated, then release the button. The Origin Set light goes dark.)



You can set the origin point for the vertical and horizontal position by pressing the Origin Set button when the Z-axis light is dark.

Creating Data with 3D Engrave

This section describes the basic steps for cutting a relief using 3D Engrave. 3D Engrave is a program for adding thickness to a flat (two-dimensional) graphic to create a relief (raised engraving). You can also add thickness to figures and other images.



The following explanation is for Windows 95/98/Me. For an explanation for Windows NT 4.0/2000, or for a more detailed explanation, see the help for 3D Engrave or refer to the 3D Engrave User's Manual (PDF) on the Roland Software Package CD-ROM.

Starting 3D Engrave

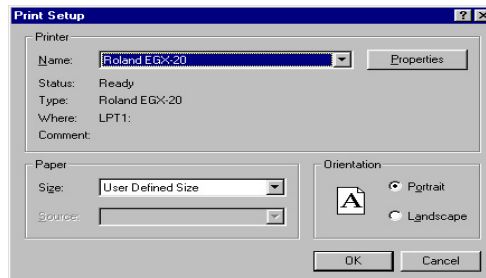
- 1 In Windows, click the [Start] button. At the Start menu, point to [Programs], then to [Roland 3D Engrave]. At the menu that appears, click [3D Engrave]. 3D Engrave starts.



Selecting the Driver

Select the output device (driver). Even if you click [Properties] and make sets for the size of the material or the cutting conditions (tool speed, depth, and so on), the data that is output is not affected.

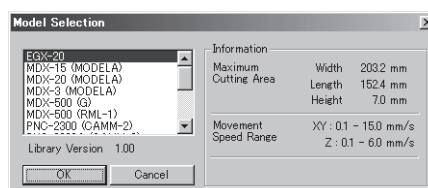
- 1 In 3D Engrave, go to the [File] menu and select [Output Device Setup].
- 2 The [Print Setup] dialog box appears. Make sure the printer name is set to [Roland EGX-20] (if the printer name is not [Roland EGX-20], then click the drop-down arrow and select [Roland EGX-20]), then click [OK].



Selecting the Model

Select the model name. This generates a tool path matched to the selected model.

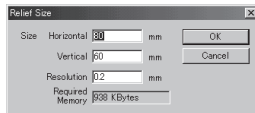
- 1 In 3D Engrave, go to the [Cut] menu and choose [Machines].
- 2 The [Model Selection] dialog box appears. Select [EGX-20], then click [OK].



Specifying the Size of the Relief

1 In 3D Engrave, go to the [Relief] menu and select [Relief Size].

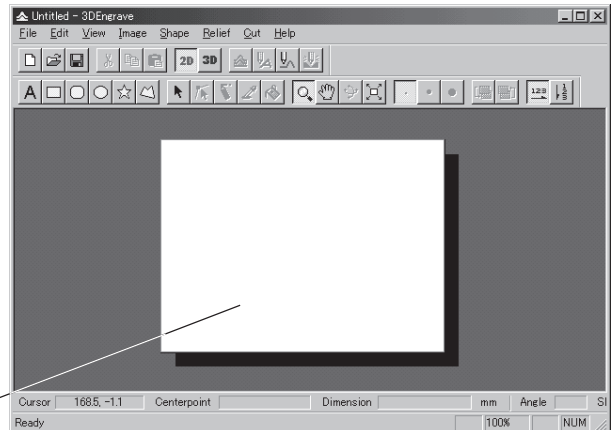
2 The [Relief Size] dialog box appears. For Size, type in the size values for the relief in the [Vertical] and [Horizontal] entry boxes, and in [Resolution], enter the degree of detail. Then click [OK].



Relief area of the 2D screen

3 The relief area is displayed. The relief area is where you design the relief.

The screen displayed at this time is called the "2D screen." It's the screen for typing in text and creating shapes.



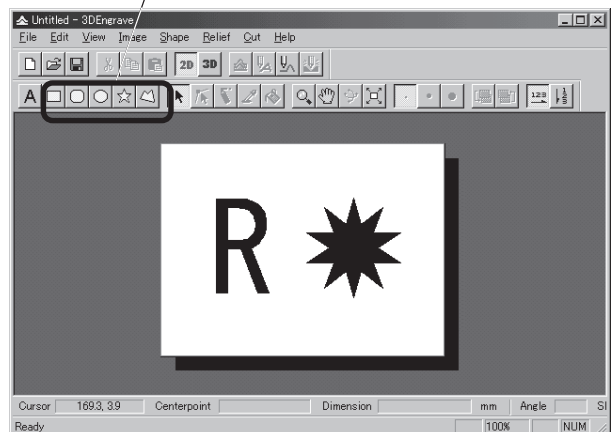
Creating Shapes and Text

To create shapes and text, you click the shape-drawing buttons and drag in the relief area.

To type in text, click the **A** button, then click inside the relief area. When the character cursor appears, type in the text from the keyboard.

To change the size of shapes or text, refer to "Working with Text Strings" on page 22.


Shape-drawing buttons



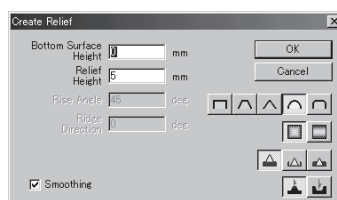
Creating a Raised Engraving (Relief)

Add thickness to shapes and text to create a relief.

1 Click the shape or text string you want for adding thickness to select it.

2 Click the  button. The [Create Relief] dialog box appears. The dialog box may differ depending on the type of object you selected. The window shown below is the dialog box that appears when you are creating a shape or text.

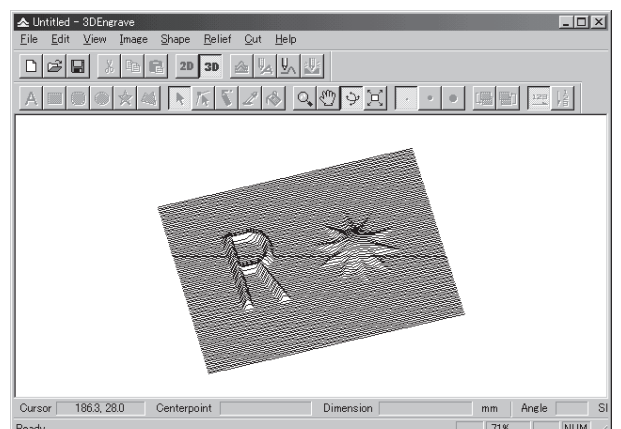
Make the settings for the items required to create the relief, then click [OK].



* The maximum cutting height is 7 mm.

3 The shape of the relief is displayed as a three-dimensional solid.

This window is called the "3D screen." It displays the shape of the relief and the tool path. You cannot edit shapes or text.



Generating the Tool Path

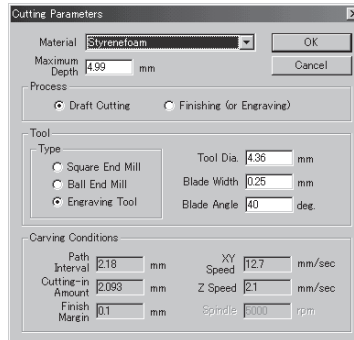
A tool path is the path followed by the tool's blade tip.

The tool path is generated from the cutting parameters that are presently set.


Before you create the tool path, make the settings for the cutting parameters.

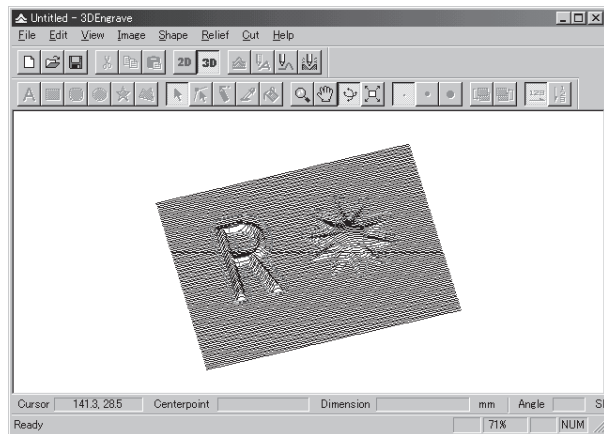
At the cutting parameters, make the settings for the composition of the workpiece, the type of tool, and the cutting process.

- From the [Cut] menu, select [Cutting Parameters]. The [Cutting Parameters] dialog box appears. Make the settings for the necessary items for cutting, then click [OK].



- * The blade angle of the general-use cutter is [30] degrees.
- * If you're using a flat cutter, select [Square end mill].

- Click the  button. When the tool path is created, it appears in pink on the 3D screen.



Draft Cutting and Finishing

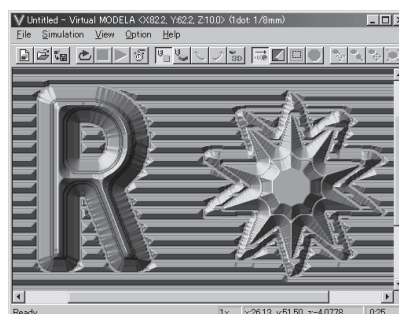
Cutting has two processes: draft cutting and finishing. You first create the tool path for draft cutting and carry out cutting. After draft cutting ends, go back to this step, create the tool path for finishing and perform cutting again.

Be sure never to perform finishing on material that has not undergone draft cutting.

Checking the Cutting Results

If Virtual MODELA is installed and set up, then before you perform cutting you can check the shape that will be produced after cutting on the screen.

- From the [File] menu, choose [Output Preview]. Virtual MODELA starts.
- The 3D Engrave cutting data is imported into Virtual MODELA. An animated display of tool movement appears, and the shape after cutting is gradually produced.



Saving Data

Save the data you have created to a hard disk or the like.

1 At the toolbar, click . Alternatively, go to the [File] menu and select [Save As].

2 The [Save As] dialog box appears. Specify the information for [Save in] and [File Name], then click [Save].

Adjusting Cutting

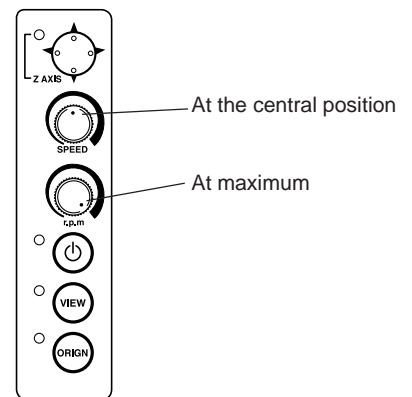
Before you carry out engraving, adjust the Speed control and Spindle Speed control on the switch panel of the EGX-20.

When you're performing cutting for the first time, set the Speed control at the central position and the Spindle Speed control at its maximum setting.

Also, 3D cutting may use materials such as modeling wax that differ from the material used for nameplate engraving. In such cases it may also be necessary to change the cutter to match the composition of the material.

You need to set cutting parameters that match such changes in the material and the cutter. First, test cutting using a small relief.

If smooth cutting is not possible, then adjust the settings for the cutting parameters. Repeat this process until smooth cutting is achieved.



General Suggestions for Making Adjustments

Depending on the cutting results, make the settings as described below. Use the Speed control and the Spindle Speed control to make the adjustments.

- If cut places are rough (not smooth), then lower the speed.
- If the material melts or suffers burring, lower the spindle speed.
- If the spindle speed is too fast, the material may melt. Lower the spindle speed.

Also, if there is buildup of melted cuttings in engraved grooves, you may be able to remove them by scrubbing with a toothbrush or the like.

- Increasing the spindle speed when using a narrower cutter and reducing it when using a thicker cutter may produce better results.
- In many cases, slower speeds produce attractive finished results, but a speed that is too slow may cause melting.

Performing Cutting

Now let's try cutting a relief.

If the View light on the EGX-20 is illuminated, press the View button to make the View light go dark.

- 1 At the toolbar, click .
Alternatively, go to the [File] menu and select [Output].

- 2 A dialog box with the prompt "Start cutting." appears.
Click [OK].
Cutting starts.



- 3 When cutting ends, the spindle unit rises all the way to the top and stops at that position.

If you carried out draft cutting, then go back to "Generating the Tool Path" on page 36 and perform finishing. Be sure not to remove the material at this time.

When finishing cutting ends, remove the material.
Pressing the View button moves the carriage to the right edge and moves the table to the front, allowing you to detach the material from the adhesive sheet.

Use a toothbrush or the like to carefully brush away any buildup of cuttings on the material or the adhesive sheet.
Also, use a vacuum cleaner to carefully clean away any cuttings remaining on the EGX-20.

Emergency Stop

If some problem occurs while cutting is in progress and you want to stop the EGX-20, follow the steps below.

- 1 Press the power button on the switch panel.
- 2 If there is a printer icon on the taskbar in Windows, double-click the icon.
The progress of printing is displayed. Delete the document.

5 Important Notes, Limitations, and Other Information

Important Notes and Limitations

○ The depth regulator nose cannot overcome a difference in level.

- When you load more than one plate at a time, make sure there are no gaps between them.
- Plates that are not quadrilateral or are of irregular shape may not be suitable for engraving with the EGX-20.

○ Fill engraving over a broad area is not possible.

- Processing such as performing a fill operation over the entire surface of a large plate to cut raised characters cannot be performed in the Engraving mode. This is because the depth regulator nose drops below the difference in levels.

When you want to perform a fill operation over a width that is broader than the diameter of the depth regulator nose, use the 3D Cutting mode.

Note, however, that in the 3D Cutting mode, line width is not uniform unless considerable care is taken to ensure a constant cutting depth, and so it may be impossible to obtain attractive engraving results. This is because the depth regulator nose is not used in the 3D Cutting mode, so there is more variation in cutting depth from one location to another.

○ Using different depth regulator noses for different purposes

- The machine comes with two types of depth regulator noses, one large in size and one small, but normally you use the medium-size depth regulator nose installed in the depth regulator unit.

In cases like those described below, change the depth regulator nose.

- Use the large-size one when characters are relatively large and the fill width is broad.
- Use the small-size one when you are engraving a surface with a relatively large curve, such as a cylindrical object.

Changing the Depth Regulator Nose

The depth regulator nose is installed in the depth regulator unit. To change it, first detach the depth regulator unit.

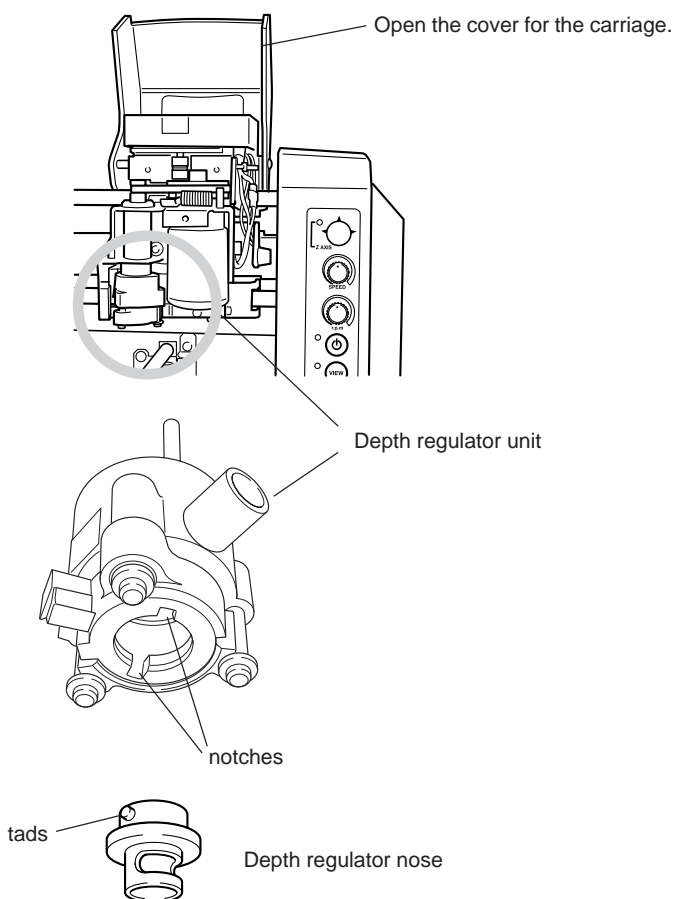
To Detach

Turn the depth regulator nose counterclockwise to line up the notches on the depth regulator unit with the tabs on the depth regulator nose, allowing you to pull out the depth regulator nose.

To Install

Orient the depth regulator nose so that the two tabs face up, then insert it into the depth regulator unit from below.

Line up the tabs on the depth regulator nose with the notches on the depth regulator unit, insert, then turn the depth regulator nose clockwise to secure it in place.



○ **The depth regulator unit is affected by changes in temperature.**

- A sensor on the depth regulator unit detects the surface of the plate being engraved, but large changes in temperature may alter the depth. Use care when using near an air conditioner or heater.

In cases like this, reinstall the cutter (thereby realigning it with the reference surface).

○ **Feature for Specifying a Number of Different Cutting Parameters**

Dr. Engrave lets you specify up to eight different colors for the lines that are drawn, and the driver lets you set different sets of cutting parameters for each color. With the defaults, black is the driver's first setting and red is the second. Using this lets you do things like giving black text a depth of 0.1 mm and red text a depth of 0.08 mm.

○ **Maximum Cutting Depth**

This is up to 1 mm in the Engraving mode and up to 7 mm in the 3D Cutting mode. Do not attempt cutting that exceeds these depths.

■ Functions Using the Switch Panel on the EGX-20

In addition to the usual operations using the switch panel, you can also use the switch panel to carry out operations like the ones described below.

Carry out the following operations with the power to the EGX-20 switched off and the EGX-20 disconnected from the AC adapter.

Displaying the Working Time of the Spindle Motor

During normal operation, if the Z-axis light flashes slowly for ten seconds (four or five flashes) when you turn on the power, it means the spindle motor has been powered up for over 1,000 hours.

The spindle motor is a consumable part. As a general guide, we recommend replacing it after every 1,000 hours.

You can also use the following procedure to check the number of hours that the spindle motor has been powered.

1. While holding down the View button on the switch panel, insert the AC adapter into the EGX-20.

The illumination and flashing of the Z-axis light, Power light, View light, and Origin Set light show how many hours the unit has been powered up.

	Less than 250 hours	Less than 500 hours	Less than 750 hours	Less than 1,000 hours	1,000 hours or more
Z-axis light	●	●	●	●	★Slow flashing
Power light	–	–	–	●	●
View light	–	–	●	●	●
Origin Set light	–	●	●	●	●

● : Illuminated – : Dark ★ : Flashing

2. After you have verified the time, press the View button. This switched off the power.

Resetting the Working Time of the Spindle Motor

When you have replaced the spindle motor with a new motor, follow the steps below.

- While holding down the power and View buttons on the switch panel, insert the AC adapter into the EGX-20. The View light illuminates and the powered time of the spindle motor is reset.

Setting the Origin Point to Its Default Value (the Lower Left Corner)

- While holding down the Origin Set button on the switch panel, insert the AC adapter into the EGX-20. The Origin Set light illuminates and the origin point is set to its default (at the lower left corner).

Setting the Origin Point at the Center of the Table

- While holding down the center of the movement button on the switch panel, insert the AC adapter into the EGX-20. The Z-axis light illuminates and the origin point is set at the center of the table.

6 Other Information

Replacement Cutters and Consumable Parts

The following replacement blades and consumable parts are available.

Replacement Cutters (Diameter 3.175 mm and Length 114 mm)

○ General-purpose (general-purpose cutters suitable for engraving acrylic and plastic plates)

No.	Blade width
• ZEC-A2013	0.127 mm
• ZEC-A2025	0.254 mm (* This is the originally included blade.)
• ZEC-A2051	0.508 mm
• ZEC-A2076	0.762 mm

○ Flat cutter (blades having a wider tip than general-purpose cutters)

No.	Blade width
• ZEC-A2150	1.52 mm
• ZEC-A2190	1.91 mm
• ZEC-A2230	2.29 mm
• ZEC-A2320	3.175 mm

○ Quarter-round types (having a larger tip pocket than general-purpose cutters, and suited to engraving soft material at high speed)

No.	Blade width
• ZEC-A2013-QR	0.13 mm
• ZEC-A2025-QR	0.25 mm

Adhesive Sheet

No.	Specification
• AS-10	210 mm x 140 mm, 10 sheets

Replacement Spindle-motor Unit

As a general guide, we recommend replacing this after every 1,000 hours.

Daily Care and Maintenance

- Use a vacuum cleaner to carefully clean away cutting dust.
- Use a toothbrush or the like to remove cuttings from the adhesive sheet.
- Do not use an air blower or the like to blow away cutting dust. The cuttings may get inside the machine and cause breakdown.
- Use a dry or well wrung-out cloth to wipe clean. Do not use solvents such as thinner or alcohol.
- Lubrication is not required. Improper application of grease or the like may actually lead to breakdown and should not be attempted.

What to Do If...

○ **The power switch doesn't turn on the power.**

→ Disconnect the AC adapter from the machine, reconnect it, then turn on the power.

○ **The power switch doesn't turn off the power.**

→ Disconnect the AC adapter from the machine.

○ **The power light flashes every 0.25 seconds, and the machine operations strangely or not at all.**

→ Incorrect data has been sent. Check whether an incorrect printer driver has been selected. Also check for faulty cable connections and the like.

○ **The power light flashes once a second and the machine stops.**

→ The load is excessive. You can resume operation by pressing the View button, but if operation stops again, make the cutting parameters less demanding, such as by using a slower speed. If the problem occurs frequently, the cutter or the spindle motor may have reached the end of their service life.

○ **The Z-axis light flashes for ten seconds.**

→ The usage time of the spindle motor has exceeded 1,000 hours. The spindle motor is a consumable part. As a general guide, we recommend replacing it after every 1,000 hours. Be sure to replace the motor if it seems to be running poorly.

○ **All the lights flash and the machine doesn't operate.**

→ Disconnect the AC adapter from the machine, reconnect it, then turn on the power.

○ **The depth gradually changes during engraving.**

→ This can be caused by large changes in temperature due to a heater or the like. Wait for the temperature to stabilize, then reinstall the blade.

○ **The depth is uneven or unattractive.**

→ The installed cutter may be loose. Tighten securely using the hexagonal screwdriver. Also tighten the cutter holder securely. (The cutter holder is reverse-threaded, so turn counterclockwise to tighten.)

○ **The actual depth is completely different from the set depth.**

→ Is the depth regulator unit installed? Was installation or removal of the depth regulator unit carried out with the power off? When you turn on the power after installing or removing the depth regulator unit, the machine automatically changes to the Engraving mode or the 3D Cutting mode.

○ **A screeching sound is heard and engraving takes place at a strange location or is misaligned.**

→ The machine lost its positioning, possibly because the material became caught on something. Reset the power and redo the operation from the beginning. The depth regulator nose cannot go beyond differences in level, so go into [Print Setup] and set the cutting area to a suitable value to prevent movement beyond the edges of the plate.

→ It is possible that excessive buildup of cuttings has occurred, and some cuttings have gotten inside the machine. Cleaning thoroughly using a vacuum cleaner or the like. Cleaning should be performed carefully.

→ If the problem persists, a breakdown may have occurred. Contact your authorized Roland DG Corp. dealer or service center.

○ **No engraving is performed when data is sent from the computer.**

→ If the View light is illuminated, it means that operation is paused. Press the View button to release it.

→ The origin point is too far toward the back or right side of the table. Set the origin point again.

○ **The spindle motor does not turn.**

→ In The [Roland EGX-20 on LPT1: Properties] dialog box, on the [Options] page, there is a setting called [Engrave with spindle motor stopped]. Check this.

→ Applying lubrication may lead to buildup of cuttings that then hardens. Clean away using a brush or the like.

-> The spindle motor may have reached the end of its service life. The spindle motor is a consumable part. As a general guide, we recommend replacing it after every 1,000 hours.

○ **Part of the carriage strikes the material while in the 3D Cutting mode.**

-> The maximum cutting depth when in the 3D Cutting mode is 7 mm. Check whether you are attempting to create a relief larger than this.

○ **The cutter holder cannot be removed.**

-> The cutter holder is reverse-threaded. Turn it clockwise to remove it.

Specifications

Main Unit Specifications

Table size	220 (W) x 170 (D) mm (8-5/8 (W) x 6-11/16 (D) in.)
Table load weight	Maximum 1 kg (2.2 lb.)
Carriage cutting range	203.2 (X) x 152.4 (Y) x 31.8 (Z) mm (8 (X) x 6 (Y) x 1-1/4 (Z) in.)
Carriage operating speed	X and Y axes: 0.1 to 1 mm/s, 1 to 15 mm/s (0.0039 to 0.59 in./s) Z axis: 0.1 to 1 mm/s, 1 to 6 mm/s (0.0039 to 0.23 in./s)
Cutting-depth control	AST (Active Surface Tracking) system
Maximum cutting depth	3D Cutting mode: 0.05 to 7 mm (0.002 to 0.27 in.) Engraving mode: 0.05 to 1 mm (0.002 to 0.039 in.)
Cutable material	Composition: Resin (acrylic, modeling wax, ABS, polyacetal, polycarbonate, styrenefoam, etc.), wood, and plaster Maximum thickness: 30 mm (1-1/8 in.)
Resolution	0.01 mm/step (0.00039 in./step)
Spindle motor	12 W (DC motor)
Spindle rotating speed	4,000 to 15,000 rpm
Overload detection feature	Yes
Cutter diameter	3.175 mm (1/8 in.)
Interface	Parallel (compliant with IEEE 1284)
Buttons and controls	Movement button, (joystick type) Power button, View button, Origin Set button, Speed control, and Spindle Speed control
Indicators	Z-axis light, Power light, View light, and Origin Set light
Power supply	Dedicated AC adapter Input: AC 100 to 240 V \pm 10%, 50/60 Hz Output: DC 19 V, 2.1 A
Power consumption	Maximum during operation: 0.6 A at 100 V, 0.27 A at 240 V
Operating noise level	Standby: Less than 45 dB (A) No-load operation: Less than 70 dB (A) (according to ISO 7779)
External dimensions	515.2 (W) x 368.3 (D) x 270.6 (H) mm (20-5/16 (W) x 14-1/2 (D) x 10-5/8 (H) in.)
Machine weight	10.9 kg (24 lb.)
Package external dimensions	673 (W) x 518 (D) x 412 (H) mm (26-1/2 (W) x 20-3/8 (D) x 16-1/4 (H) in.)
Package weight	15.5 kg (34.2 lb.)
Operating environment	Temperature: 5 to 40 °C (41 to 104 °F) Relative humidity: 35 to 80% (no condensation)
Included items and accessories	AC adapter, power cord, cutter, cutter holder, depth regulator noses (large and small), adhesive sheet for mounting material, test-use plate material, hexagonal screwdriver, hexagonal wrenches (large and small), Roland Software Package, User's Manual

Interface Specifications

Parallel

Rating	Compliant with IEEE 1284: Nibble mode
Input signals	$\overline{\text{STROBE}}$ (1 bit), DATA (8 bits), $\overline{\text{SLCT IN}}$, $\overline{\text{AUTO FEED}}$, and $\overline{\text{INIT}}$
Output signals	BUSY (1 bit), $\overline{\text{ACK}}$ (1 bit), $\overline{\text{FAULT}}$, SLCT, and PERROR
Input/output signal level	TTL level
Transmission method	Asynchronous

Please read this agreement carefully before opening the sealed package or the sealed disk package

Opening the sealed package or sealed disk package implies your acceptance of the terms and conditions of this agreement. If you do NOT accept this agreement, retain the package UNOPENED. (This product is just one of included items. Please be aware that any amount of the purchase price will not be refunded for return of this product as a single item, regardless of whether the package is opened or unopened.) The enclosed Roland product is a single user version.

Roland License Agreement

Roland DG Corporation ("Roland") grants you a non-assignable and non-exclusive right to use the COMPUTER PROGRAMS in this package ("Software") under this agreement with the following terms and conditions.

- 1. Coming into Force**

This agreement comes into force when you purchase and open the sealed package or sealed disk package.
The effective date of this agreement is the date when you open the sealed package or sealed disk package.
- 2. Property**

Copyright and property of this Software, logo, name, manual and all literature for this Software belong to Roland and its licensor.

The followings are prohibited :

 - (1) Unauthorized copying the Software or any of its support file, program module or literature.
 - (2) Reverse engineering, disassembling, decompiling or any other attempt to discover the source code of the Software.
- 3. Bounds of License**

Roland does not grant you to sub-license, rent, assign or transfer the right granted under this agreement nor the Software itself (including the accompanying items) to any third party.
You may not provide use of the Software through time-sharing service and/or network system to any third party who is not individually licensed to use this Software.

You may use the Software by one person with using a single computer in which the Software is installed.
- 4. Reproduction**

You may make one copy of the Software only for back-up purpose. The property of the copied Software belongs to Roland.
You may install the Software into the hard disk of a single computer.
- 5. Cancellation**

Roland retains the right to terminate this agreement without notice immediately when any of followings occurs :

 - (1) When you violate any article of this agreement.
 - (2) When you make any serious breach of faith regarding this agreement.
- 6. Limitations on Liability**

Roland may change the specifications of this Software or its material without notice.

Roland shall not be liable for any damage that may caused by the use of the Software or by exercise of the right licensed by this agreement.
- 7. Governing Law**

This agreement is governed by the laws of Japan, and the parties shall submit to the exclusive jurisdiction of the Japanese Court.