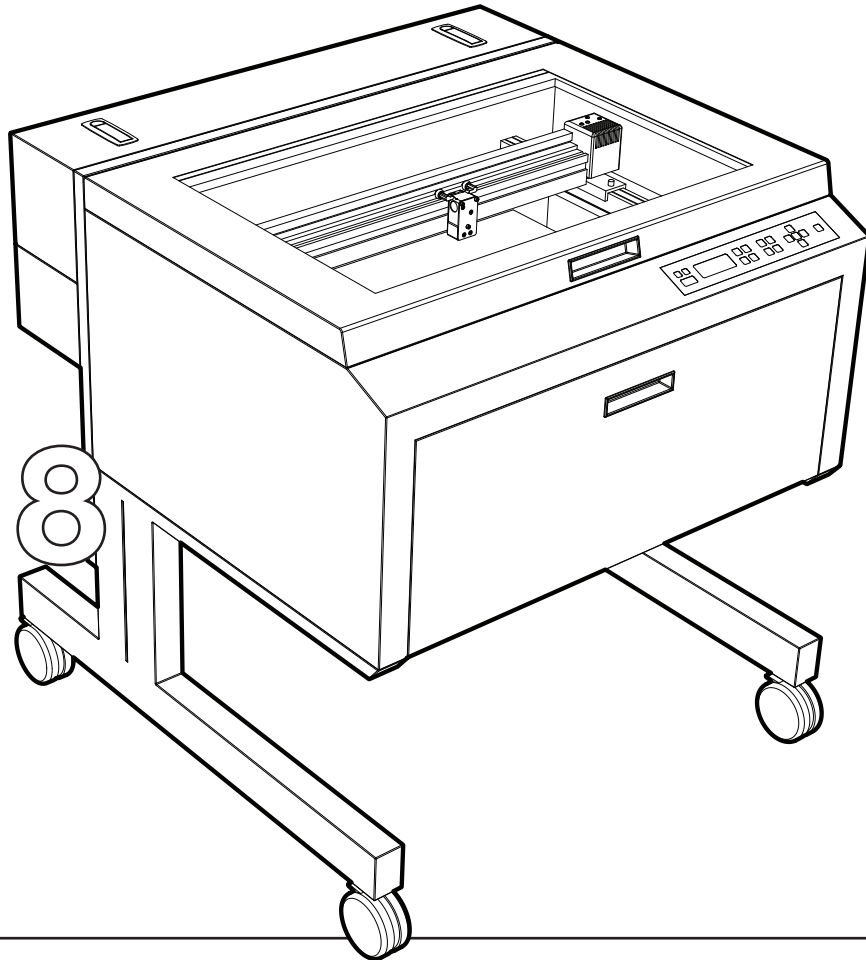


# Professional Series

24x18



## Features:

V-460 ≡

Free-standing unit with integrated cart, motorized Z-axis, auto focus, X-Y beam positioning system with RACER™ motion technology, self-adjusting spring loaded sealed bearings, stationary processing table, Quick Change Laser Cartridge™ compatibility, shielded optics, interchangeable focusing optics, flash upgradeable electronics, job complete indicator, system status indicator, relocatable origin, enhanced vector cutting, 3D engraving and rubber stamp mode.

- Versatile and efficient
- 24" x 18" work area
- Patented Cross-Platform Compatibility with all ULS air-cooled Quick Change Laser Cartridges™
- Patented 10-60 watt Rapid Reconfiguration Capability™
- RACER™ Motion Technology for fast job processing
- Complete selection of productivity accessories

[www.ulsinc.com](http://www.ulsinc.com)

**UNIVERSAL**  
LASER SYSTEMS INC.

**Specifications: V-460****Facility Requirements**

5.05

<b>Laser Compatibility</b>	UL-10, -25, -30, -35, -40, -45, -50, -55 or -60 watt air-cooled, RF driven, sealed CO <sub>2</sub> laser in the pre-aligned Quick Change Cartridge™.
<b>Available Accessories</b>	Rotary fixture, cutting table, lens kits, coaxial air assist with optics protection, back sweep air assist, dual head, USB connection kit and ethernet connection kit.
<b>Focusing Optics</b>	Standard 2.0" (50mm) focal length lens in enclosed lens cartridge; optional lenses available.
<b>Power Control</b>	Digital power control continuously variable from 0 to 100%, automatic proportional pulsing and color linked power settings.
<b>Work Area</b>	24" x 18" work area (609 x 457 mm)
<b>Table Size</b>	29" x 23" (736 x 584mm)
<b>Maximum Part Size</b>	29" wide x 23" deep x 9" thick (736 x 584 x 228mm)
<b>Computer Interface</b>	Parallel port standard. USB and ethernet optional. Compatible with Windows® 2000/XP and Mac OS®9.
<b>Memory Buffer</b>	Intelligent buffer with automatic data compression stores up to 99 files with all settings; files are addressable and repeatable in any order and may be deleted after completion to free memory; buffer can be switched to single file mode.
<b>Display Panel</b>	LCD display shows current file name, laser power, engraving speed, run time, files loaded into memory buffer, setup and diagnostic menus.
<b>Operating Modes</b>	Raster or vector engraving, vector cutting or combined vector/raster processes.
<b>Dimensions</b>	39" high x 36" wide x 36.5" deep (990 x 914 x 927mm)
<b>Weight</b>	Approximately 270 lbs (122kg)
<b>Safety</b>	Meets CDRH and EN60825-1 requirements for Class 1 laser safety enclosure for CO <sub>2</sub> laser and Class 3R for red pointer.

<b>Electrical</b>	Single phase 110 VAC, 10 amp, 50/60 Hz Single phase 220 VAC, 5 amp, 50/60 Hz
<b>Exhaust</b>	Outside exhaust required. One 4" (102mm) connection requiring 250 CFM air flow at a static pressure of 6 inches of water (425m <sup>3</sup> /hr at 1.5kPa).
<b>Cooling</b>	Air-cooled, ambient operating range of 50°-95°F (10°-35°C).

**WARNING: UNIVERSAL LASER SYSTEMS PRODUCTS ARE NOT DESIGNED, TESTED, INTENDED OR AUTHORIZED FOR USE IN ANY MEDICAL APPLICATIONS, SURGICAL APPLICATIONS, MEDICAL DEVICE MANUFACTURING, OR ANY SIMILAR PROCEDURE OR PROCESS REQUIRING APPROVAL, TESTING, OR CERTIFICATION BY THE UNITED STATES FOOD AND DRUG ADMINISTRATION OR OTHER SIMILAR GOVERNMENTAL ENTITIES.** SHOULD THE BUYER USE UNIVERSAL LASER SYSTEMS PRODUCTS FOR ANY SUCH UNINTENDED OR UNAUTHORIZED APPLICATION, ALL WARRANTIES REGARDING THE UNIVERSAL LASER SYSTEMS PRODUCTS SHALL BE NULL AND VOID. FURTHER, THE BUYER SHALL HAVE NO REMEDY AGAINST UNIVERSAL LASER SYSTEMS AND ITS OFFICERS, EMPLOYEES, SUBSIDIARIES, AFFILIATES AND DISTRIBUTORS FOR, AND THE BUYER SHALL INDEMNIFY AND HOLD THOSE PARTIES HARMLESS AGAINST, ANY AND ALL CLAIMS, COSTS, DAMAGES, EXPENSES AND REASONABLE ATTORNEY FEES ARISING OUT OF, DIRECTLY OR INDIRECTLY, ANY CLAIM ASSOCIATED WITH SUCH UNINTENDED OR UNAUTHORIZED USE, INCLUDING BUT NOT LIMITED TO ANY CLAIM BASED ON WARRANTY (EXPRESS OR IMPLIED), CONTRACT, TORT (INCLUDING ACTIVE, PASSIVE, OR IMPUTED NEGLIGENCE), STRICT LIABILITY, PATENT OR COPYRIGHT INFRINGEMENT OR MISAPPROPRIATION OF INTELLECTUAL PROPERTY.



©2004 Universal Laser Systems, Inc. Protected under one or more of U.S. patents 5,661,746; 5,754,575; 5,867,517; 5,881,087; 5,894,493; 5,901,167; 5,982,803; 6,181,719; 6,313,433; 6,342,687. Other U.S. and International patents pending. Specifications subject to change without notice. Windows is a registered trademark of Microsoft, Inc. Mac OS9 is a registered trademark of Apple Computers, Inc.